

Instructions for Use

Priming Processing IR Sink Soap Pump and Installing Soap Pump Battery Pack



Follow these instructions to prime the soap pump and to install the soap pump battery pack.

Use non-detergent soap only.

For this operation, you will need a plastic syringe (included) and a full soap container (not included) to place the soap pump tubing into. This tubing is pre-installed with the sink.

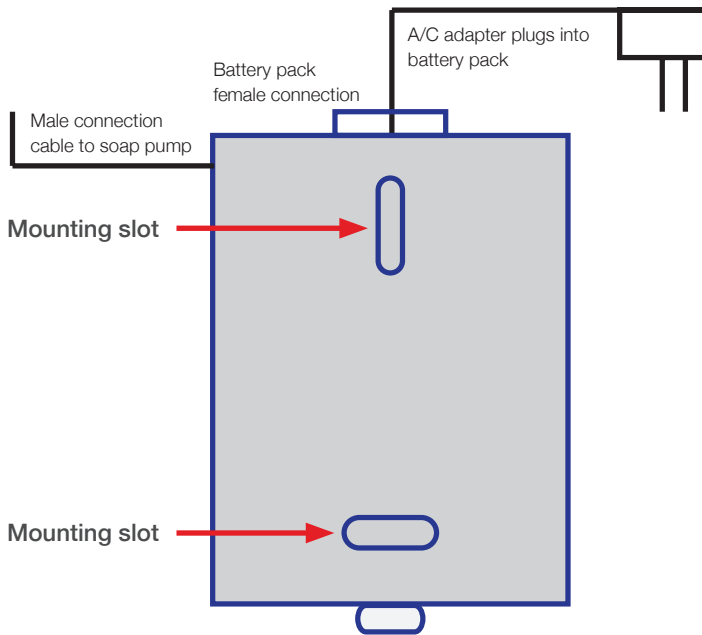
Place the loose end of the tubing into the soap container. Insert the syringe tip into the sink soap pump head with the syringe plunger fully depressed. Withdraw the syringe plunger to suck the soap through the soap pump dispenser.

Keep priming the soap pump with the syringe until the soap begins dispensing through the soap pump head dispenser.



An optional power source for the soap pump is the battery pack, which is to be mounted (vertically or horizontally) on the wall below the sink. Be sure to provide access to the battery pack so that batteries can be changed regularly.

The battery pack operates on four (4) D size cell batteries (not included).



As shown in this diagram, connect the male connector cable to the female connection on the soap pump. The A/C adapter plugs into the female connection on the battery pack.



Interior of battery pack



Exterior of battery pack