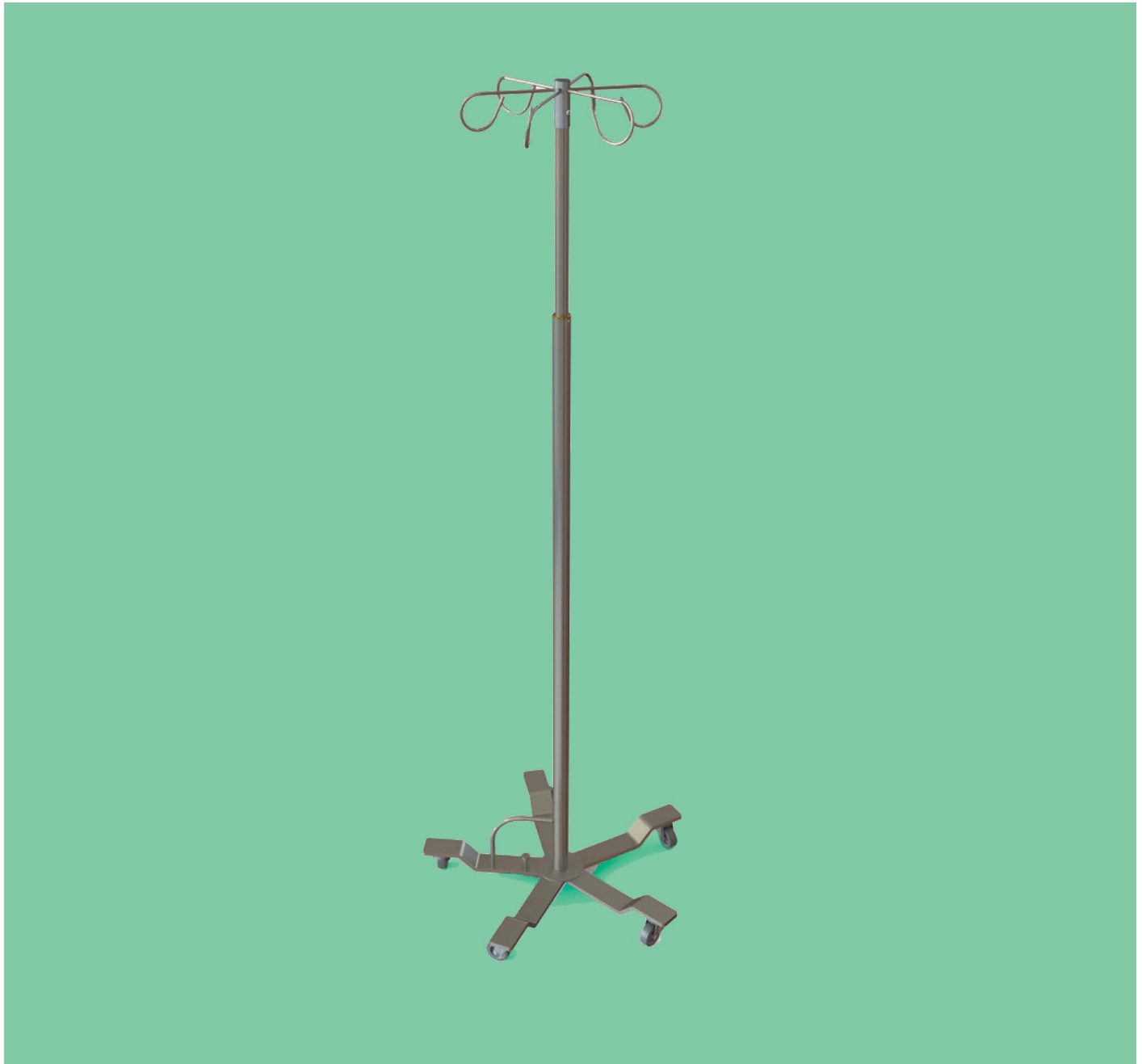


Integro Surgical Products

Instruction Guide for IV Stands



Read the instructions and safety information in this manual before operating this product.

IV, or intravenous, stands are used to hold bags of fluid or medication being given to a patient at a steady flow.

Table of Contents

Features and Unpacking	3
Assembly Instructions	4
Adjustment Instructions	7
Care and Maintenance	9

Take the following precautions with the IV stand

- Don't use for support or as a walking aid. Do not attempt to support your weight or use it as a stand assist.
- Avoid wet or slick surfaces, wires, cables, or tubes and any uneven surfaces that may cause the IV stand to tip or fall.
- Extreme caution should be taken when the IV stand is near the bed or any other furniture.
- Don't exceed the maximum weight capacity of 20 lbs attached to the pole and 10 lbs on each hook. (We recommend all added weight be evenly distributed among the top hooks to maintain stability.)
- Do not use the IV stand while walking backward, down gradients, or climbing stairs, curbs, or going over obstacles. A serious risk of fall or injury may occur.
- Do not use the stand for anything other than its intended use.

Features

- Stainless steel construction
- 65 lb weight capacity (10 lb per Hook)
- Height-adjustment - 68" - 108"
- 2" swivel casters

Product Number	Height-adjustment Method	Number of Hooks	Number of Legs	Assembly Required
SMIVS5L4HF0	Foot	4	5	No
SMIVS5L6HF0	Foot	6	5	No
SMIVS4L4HH0	Hand	4	4	Yes
SMIVS4L6HH0	Hand	6	4	Yes
SMIVS6L4HH0	Hand	4	6	Yes
SMIVS6L6HH0	Hand	6	6	Yes
SMIVS5L4HH0	Hand	4	5	Yes
SMIVS5L6HH0	Hand	6	5	Yes

Unpacking and Inspection Instructions

The IV stand is heavy. We recommended that at least two people assist in the unpacking.

- If the shipping container appears to be damaged in any way, contact the shipping company immediately. Save all damaged packaging materials.
- Carefully inspect the IV stand while unpacking. If any damaged or defective parts are seen, call your InnerSpace Customer Service (1-888-435-2256).
- Foot-operated IV stands are shipped fully assembled and ready for immediate use. No assembly is required.
- Hand-operated IV stands are shipped knocked down, and some assembly is required. Instructions for their assembly are in this manual.

Assembly Instructions for Hand-Operated IV Stands

Foot-operated IV stands come fully assembled. Hand-operated IV stands come assembled except for the wheeled bases, which must be assembled.

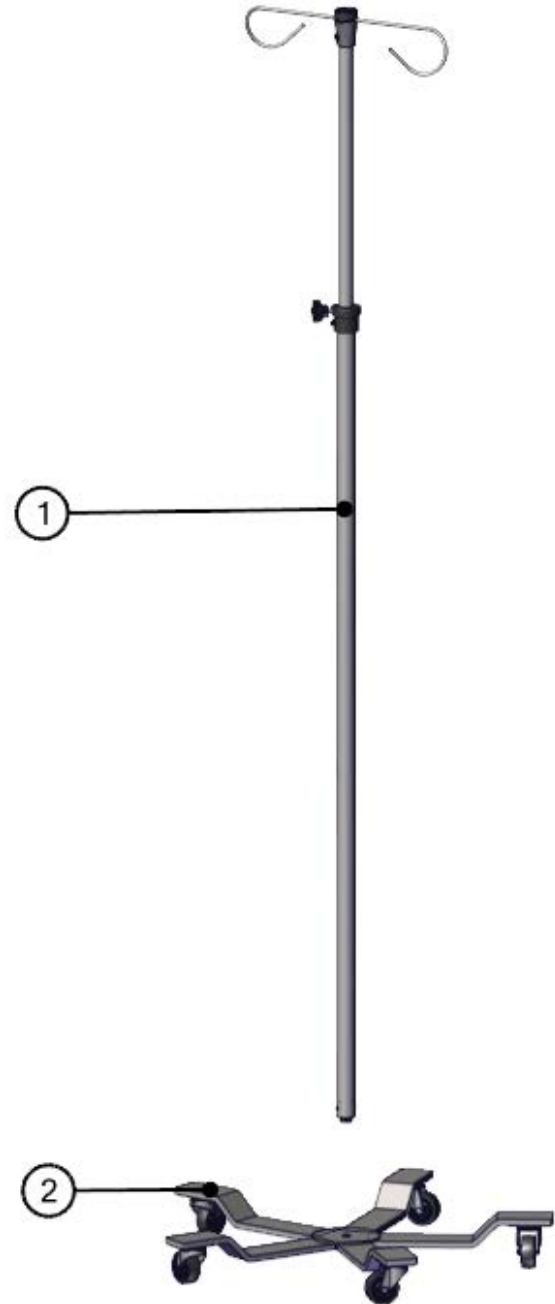
If any components of the IV stand are damaged or missing, contact InnerSpace Customer Service (888-435-2256) immediately. Do not use substitute parts.

Tools Needed: 5/8" socket wrench

1. Remove all loose packaging from the shipping container.
2. Remove all IV stand components from the shipping container.
3. Inspect IV stand components to ensure all components are present.

Components include:

- ① Lower and upper IV pole, IV hook assembly, and height-adjustment knob (assembled)
- ② Wheeled base (detached)

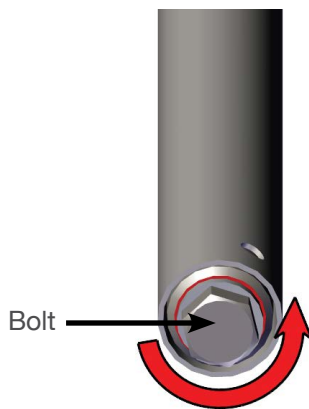


Unassembled IV stand

Follow these instructions to assemble the hand-operated IV stand.

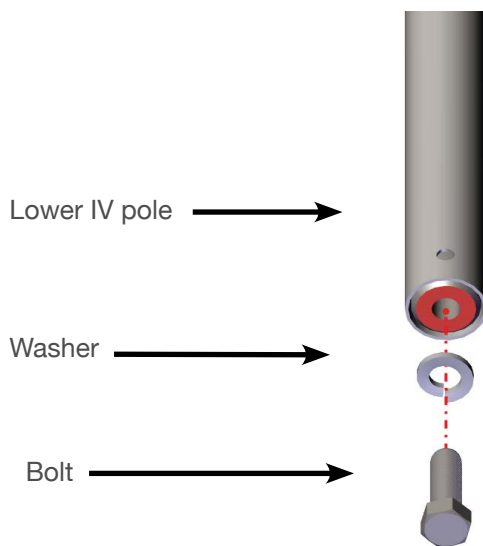
Step 1

Using a 5/8" socket wrench, unscrew the bolt from the bottom of the lower IV pole using a leftward/counterclockwise twist.



Step 2

Remove the bolt and washer from the bottom of the lower IV pole.



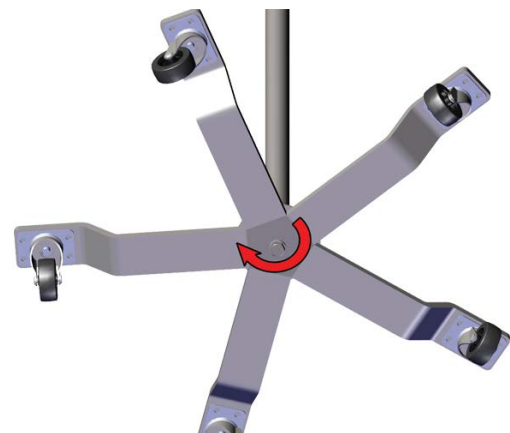
Step 3

Place the washer on the bolt. Push the washer and bolt assembly through the hole in the center of the wheeled base from the bottom so that the threads of the bolt protrude through the top of the wheeled base. Position the bottom of the lower IV pole over the bolt where it protrudes from the wheeled base.



Step 4

Using the 5/8" socket wrench, tighten the bolt onto the lower IV pole using a rightward/clockwise twist. Make sure the bolt is tightened securely.



The IV stand is now fully assembled and ready for use.

Make sure that the IV stand is assembled as described before use.

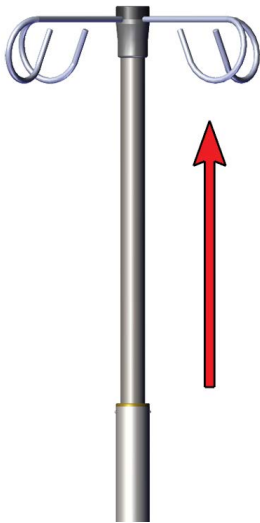


Fully assembled stand

Adjusting the Height of the Foot-Operated IV Stand

To raise

Step 1: Lift up on upper IV pole. The Stand can be adjusted to any height between 68" and 108".

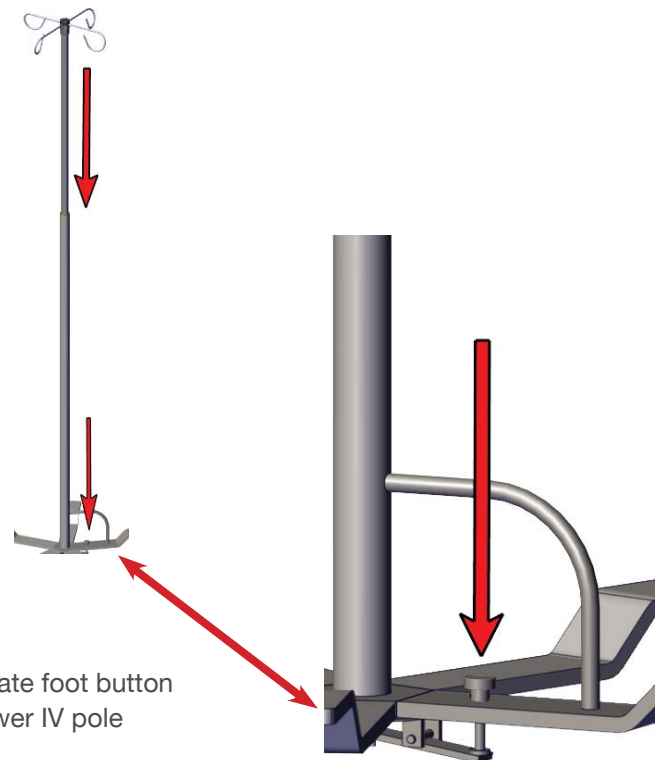


Lift up on upper IV pole

To lower

Step 1: Lower IV pole using foot button
Step 2: Lower stand to desired height and release the foot release button.

Important: Make sure to have a firm grip on the upper IV pole when activating the foot release or the upper IV pole will slam down.



Operate foot button to lower IV pole

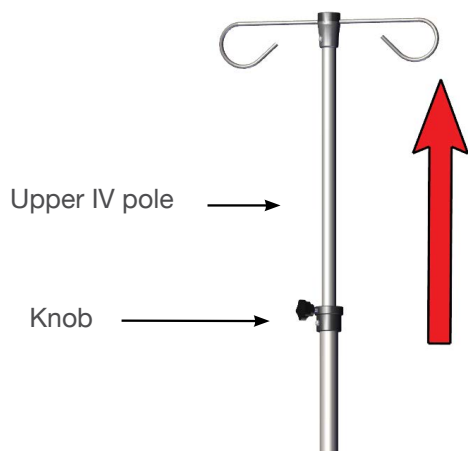
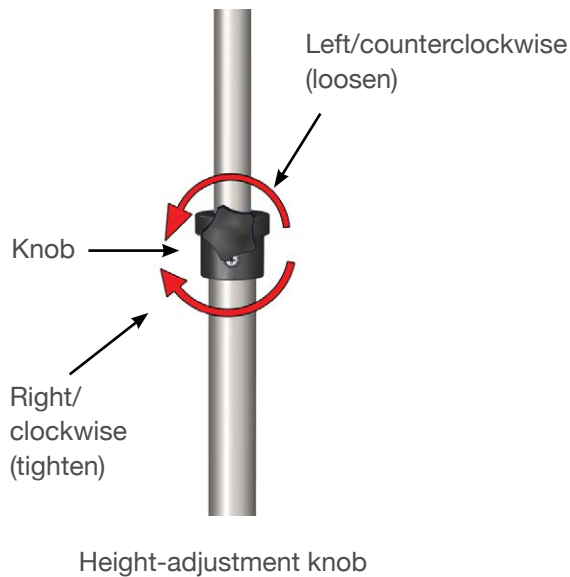
Foot button detail

Adjusting the Height of the Hand-Operated IV Stand

To raise

Step 1: To raise the height of the hand-operated IV stand, turn the knob to the left (counterclockwise) with one hand to loosen. Grasp the upper IV pole with the other hand and raise the stand to desired height.

Step 2: Turn the knob to the right (clockwise) to tighten.

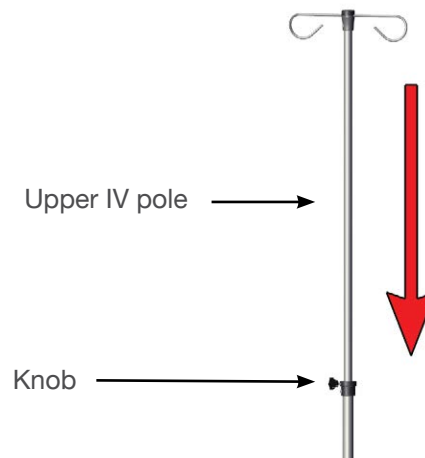


To lower

Step 1: To lower the height of the hand-operated IV stand, grasp the upper IV pole with one hand and turn the knob left (counterclockwise) with the other to loosen. Lower the stand to the desired height.

Step 2: Turn the knob right (clockwise) to tighten.

Important: Make sure to hold the upper IV pole when lowering it or the upper IV pole will slam down when the knob is loosened.



IV stands must be cleaned on a regular basis in order to prevent unnecessary damage to the stainless steel surface. When cleaning IV stands, make sure to use the proper cleaning agents and cleaning materials.

Do not use the following materials on the stainless steel surfaces of IV stands:

- Abrasive pads
- Scrapers
- Steel wool
- Wire brushes

Do not use the following agents on the stainless steel surfaces of IV stands:

- Hard water
- Bleach or any products containing chlorine
- Hydrochloric acid
- Denatured alcohol

Always follow the manufacturer's directions for any chemicals used on the stainless steel surfaces of the IV stands.

Use the following cleaning materials and agents:

- Soft, clean lint-free cloth
- Distilled water
- Distilled water with mild detergent
- Cleaners approved for use on stainless steel

Cleaning a Stainless Steel IV Stand

- Using a damp, lint-free cloth and approved cleaner, wipe down all surfaces of the IV stand.
- Use a lint-free dry cloth to dry the IV stand or let air dry. If air drying, ensure IV stand is completely dry before storing. Store in a cool, dry place.

Users of the IV stands are responsible for the proper care, use, and maintenance of the equipment. IV stands can become damaged and unsafe if used improperly.

IV Stands

- Never overload the IV stand.
- Do not use the IV stand at high speeds.

Using the IV stand in any of the above conditions can result in failure of the casters, wheels, or other parts of the equipment.

Periodically inspect the bottom of the IV stand and look for any of the following issues:

- Broken welds.
- Loose nuts or bolts. These should be tightened.
- Frame distortion that could be caused by an overloaded IV stand or by impacts with other objects while moving the stand.

Casters and Wheels

- Make sure the casters are in good condition. If a swivel caster has excessive play due to wear, it may need to be replaced. If casters don't turn freely, corrosion or dirt may require their replacement.
- Wheels should be checked for visible tread wear. Flat spots due to accumulation of material, such as string or thread, can cause the wheel to bind. The axle bolt nut should be removed and the foreign material removed. If the internal components are intact, the caster can be reassembled.
- Rubber tires can be badly worn and cause erratic steering, bumping, load shifting, and floor damage.