

Instructions for Use

Installing the Eye Wash Unit for Scrub Sinks

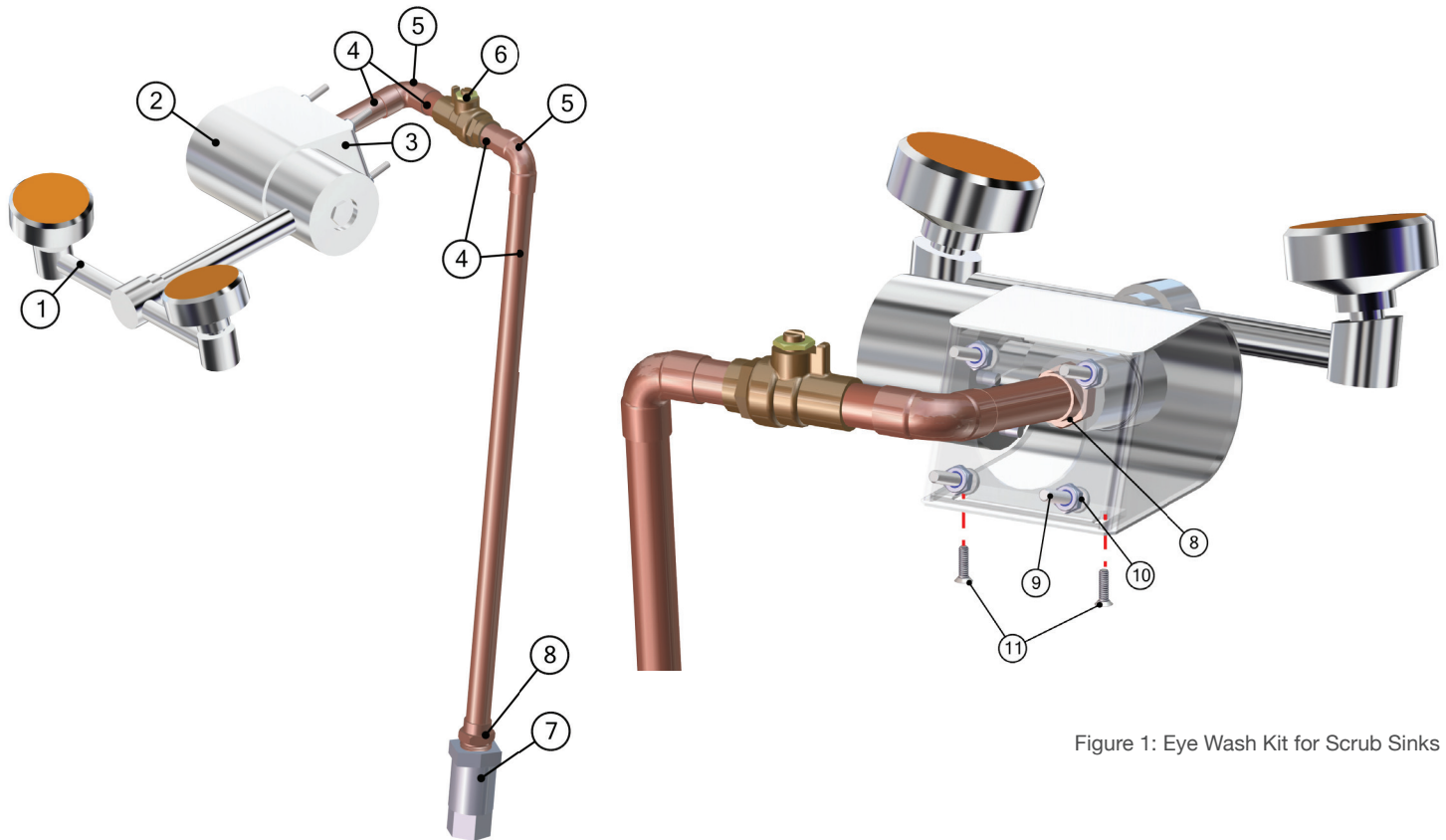


Figure 1: Eye Wash Kit for Scrub Sinks

Eye Wash Kit for Scrub Sinks

The eye wash unit provides flushing fluid to both eyes simultaneously. The flushing streams rise to approximately equal heights on both sides. The two spray heads have a flip-top dust cover, internal flow control, and in-liner strainer to remove impurities from the water flow.

Once activated, the unit operates hands-free (stay-open valve) until intentionally closed.

Item Number	Description	Quantity
1	Guardian Eye Wash Faucet	1
2	Eye Wash Cover	1
3	Eye Wash Housing	1
4	1/2" Copper Pipe	3 ft.
5	Elbow, 1/2" Copper 90	2
6	1/2" Balance Flow Control Valve	1
7	Check Valve 1/2 Spring-loaded	1
8	Adaptor, Male 1/2 x 1/2	2
9	Pan Head Screw 10-32 x 1.0" Long Stainless Steel	4
10	10-32 Nylon Lock Nut	4
11	#6-32 X 1/2 Flat Undercut Head Stainless Steel Screw	2

Installation

1. Drill a hole pattern with the dimensions (shown in Figure 2) on the front face of the back sink basin wall. Locate the hole at the position indicated in Figure 3.

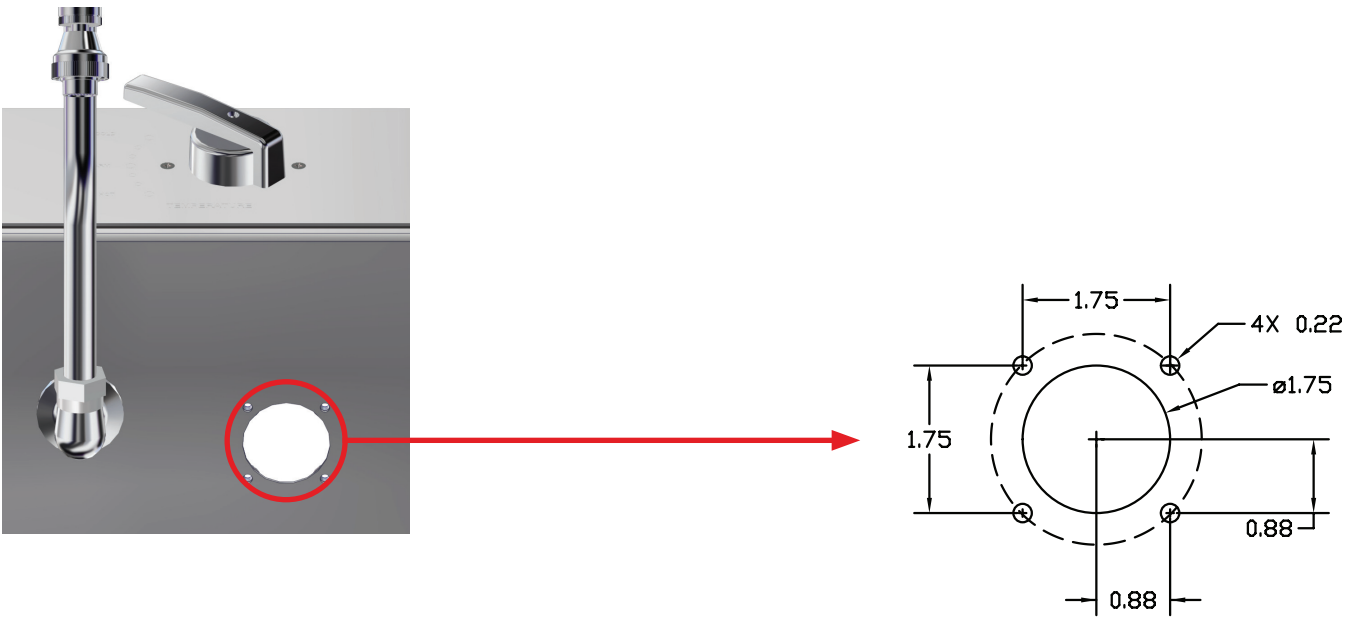


Figure 2: Hole Drill Pattern – Scrub Sinks

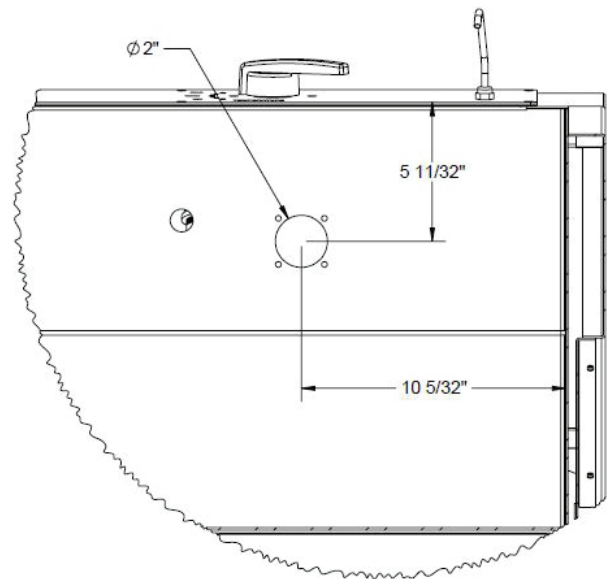


Figure 3: Hole Location

2. Attach the eye wash housing to the front face of the sink basin wall. Secure with the supplied 4 pan head screws and 4 nylon lock nuts. See Figure 4 (Sink basin wall is shown half transparent for clarity).

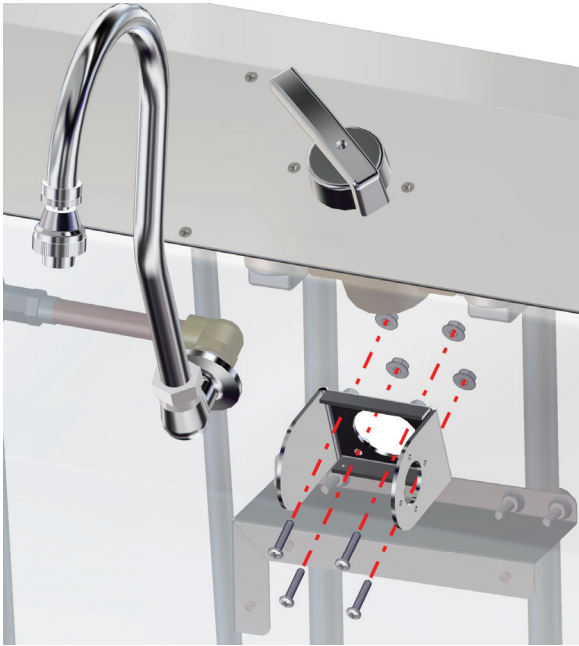


Figure 4: Attach Eye Wash Housing

4. Re-attach the eye wash unit to the mounting shank, lining up the 4 studs with the 4 holes on the right side of the housing. See Figure 6.



Figure 6: Re-attach eye wash unit

3. After attaching the housing to the sink basin, separate the 1/2" NPT female inlet and mounting shank from the eye wash unit. Place these within the housing. See Figure 5.

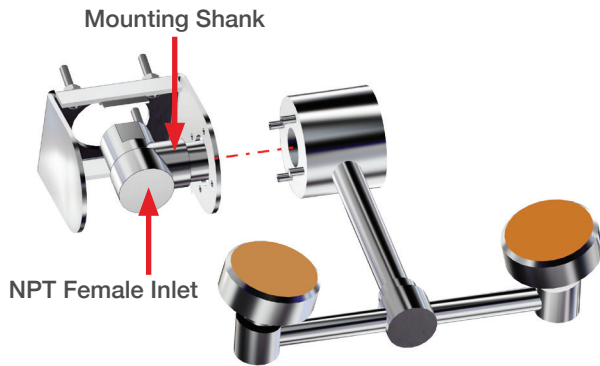


Figure 5: Locate NPT female Inlet and Mounting Shank

5. Attach eye wash cover (red arrow) to the eye wash housing with two #6-32 x 1/2" flat undercut head stainless steel screws (circled in red). See Figure 7.

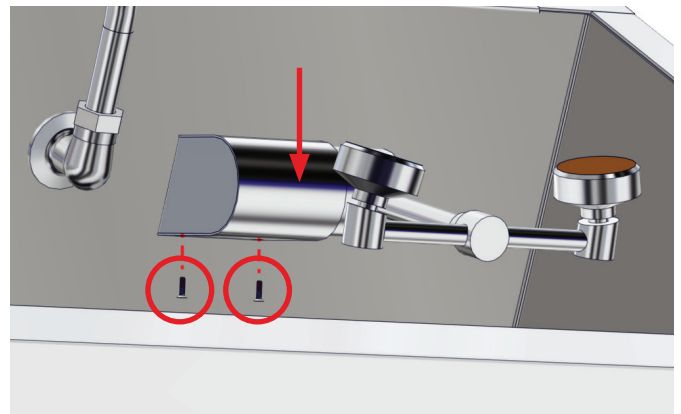
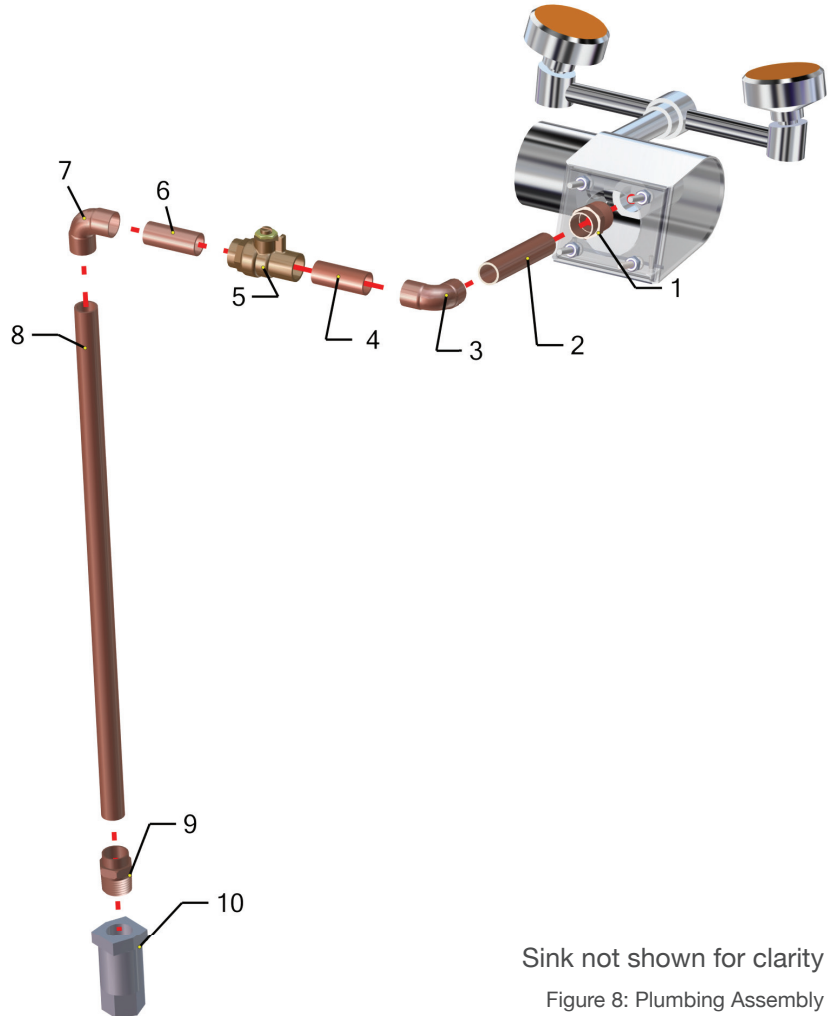


Figure 7: Attach Eye Wash Cover

Assemble Plumbing

See Figure 8 to follow the steps below:

1. Attach male adapter to the NPT female inlet.
2. Cut a small length (3 1/4") of copper pipe and fit it into the male adapter.
3. Attach an elbow pipe to the pipe length.
4. Cut another small length (2 1/2") of copper pipe and fit it to the elbow pipe.
5. Attach one end of the balance flow control valve to the pipe length.
6. Cut another small length (1 1/2") of copper pipe and attach it to the other end of the balance flow control valve.
7. Attach an elbow pipe to the pipe length.
8. Attach a long length (16") of copper pipe to the elbow pipe.
9. Attach the other male adapter to the pipe length.
10. Attach the spring-loaded check valve to the male adaptor.
11. Connect water line to spring-loaded check valve.
12. Be sure to adequately secure the plumbing to the sink to reduce vibration.



Sink not shown for clarity
Figure 8: Plumbing Assembly

Operation and Maintenance of Eye Wash Units

To activate the water flow, swing the eye wash head assembly down from its 100° vertical position to a flat horizontal position. The valve begins to open at approximately 60° from vertical. See Figure 9.

To ensure proper maintenance, the unit should be activated weekly for a period long enough to verify proper operation and ensure flushing fluid is available. This prevents sediment build-up within the eye wash unit and minimizes microbial contamination in the stagnant water.

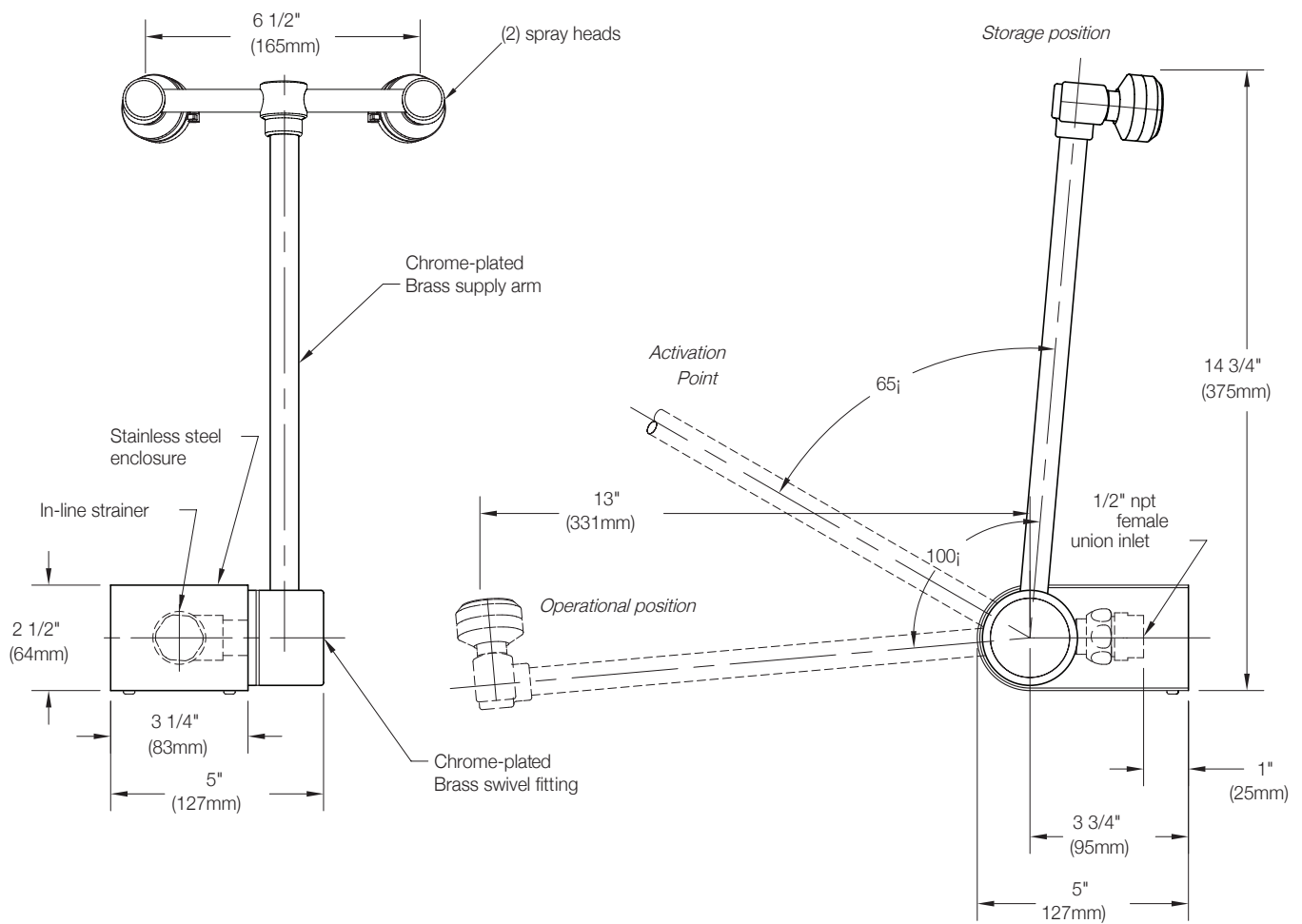


Figure 9: Operation of Eye Wash Unit