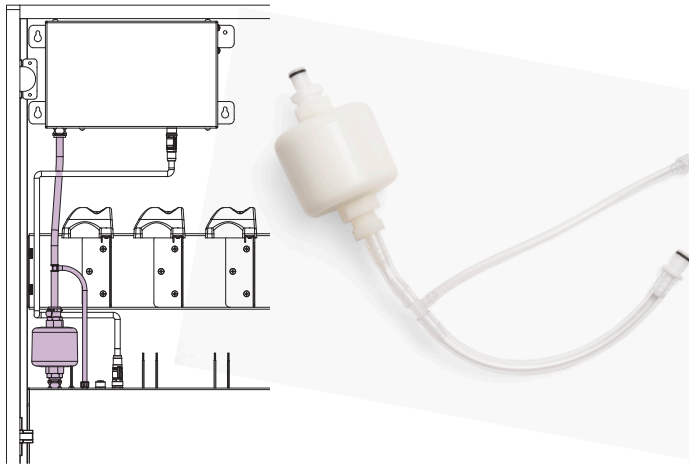


Removing and Replacing the Compressor Tube/Air Filter

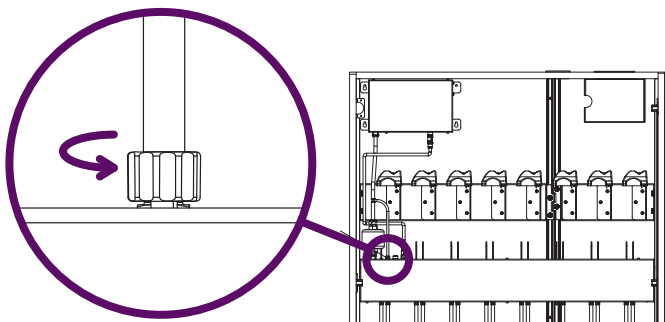
Follow these instructions to remove and replace the compressor tube/air filter in the Ventaire drying and tracking system.



To remove

Step 1

Locate the pressure sensor port on the manifold. Turn the tube fitting to the left to loosen and then remove from port

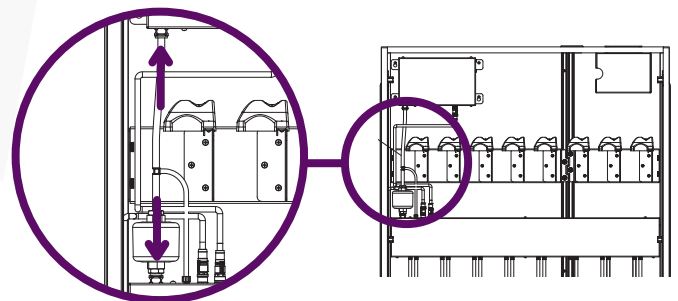


Step 2

Press the quick release button on the air output port connector on the compressor

Step 3

Press the quick release button below the filter on the air filter port on the manifold



Step 4

The tube/filter can now be removed

To replace

Step 1

Insert the new compressor tube and filter into place. The quick release buttons will reset once the tube is attached

Step 2

Reattach the tube fitting by turning it to the right until the fitting is firmly attached to the manifold