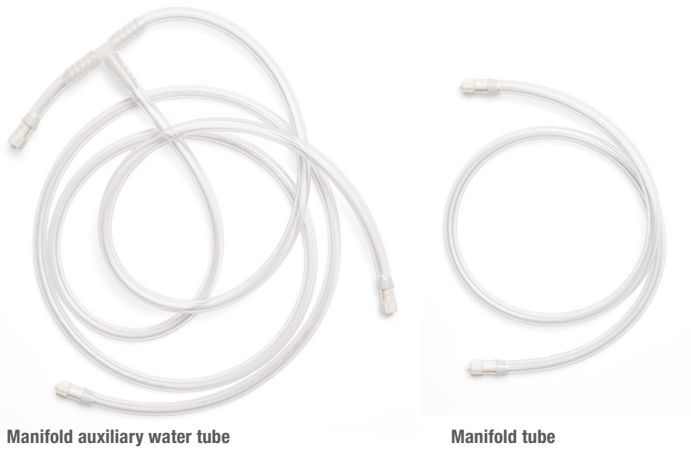


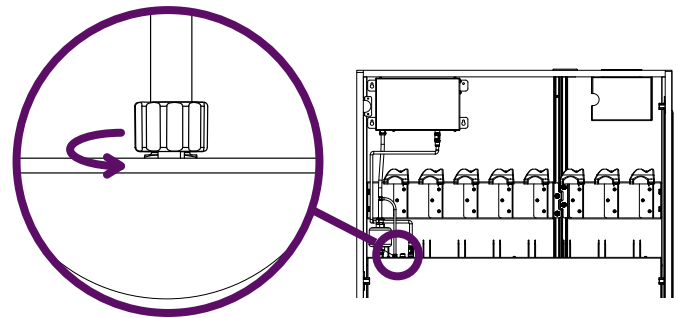
Removing and Replacing a Manifold Tube or Manifold Auxiliary Water Tube

Follow these instructions to remove and replace the manifold tube or manifold auxiliary water tube in the scope drying and tracking system.



To remove

Turn the tube fitting to the left to loosen and remove the tube from the manifold



To replace

To replace the tube, insert a new tube and turn the hose fitting to the right until the tube is firmly attached to the manifold

To reset the replacement date

To reset the replacement date after replacing expired items, select Settings, enter PIN, and scroll to Cabinet. Click on the expired equipment and select Reset to begin a new 6-month countdown

