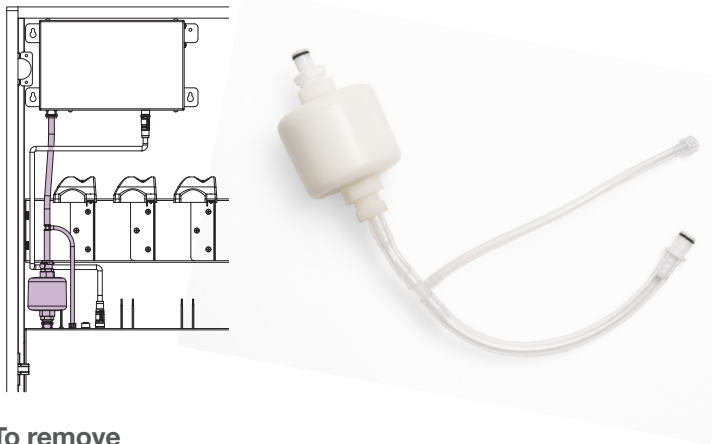


# Removing and Replacing the Compressor Tube/Air Filter

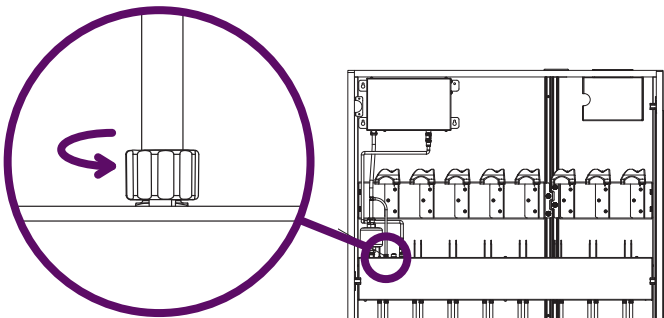
Follow these instructions to remove and replace the compressor tube/air filter in the scope drying and tracking system.



## To remove

### Step 1

Locate the pressure sensor port on the manifold. Turn the tube fitting to the left to loosen and then remove from port

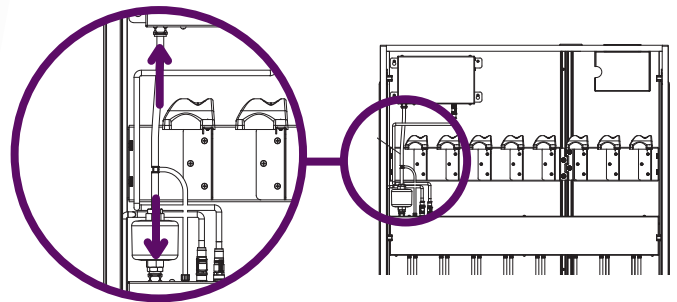


### Step 2

Press the quick release button on the air output port connector on the compressor

### Step 3

Press the quick release button below the filter on the air filter port on the manifold



### Step 4

The tube/filter can now be removed

## To replace

### Step 1

Insert the new compressor tube and filter into place. The quick release buttons will reset once the tube is attached

### Step 2

Reattach the tube fitting by turning it to the right until the fitting is firmly attached to the manifold

## To reset the replacement date

To reset the replacement date after replacing expired items, select Settings, enter PIN, and scroll to Cabinet. Click on the expired equipment and select Reset to begin a new 6-month countdown

