

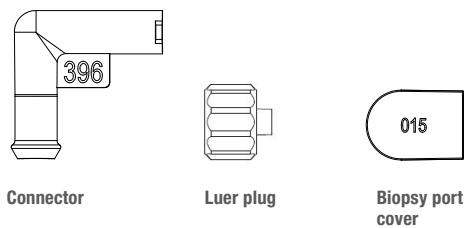
# Connector Kit Instructions

## Connector Kit 19 (SVCK19)

Follow these instructions to attach a connector to a scope.

### Kit includes:

- Connector
- Luer plug
- Biopsy port cover



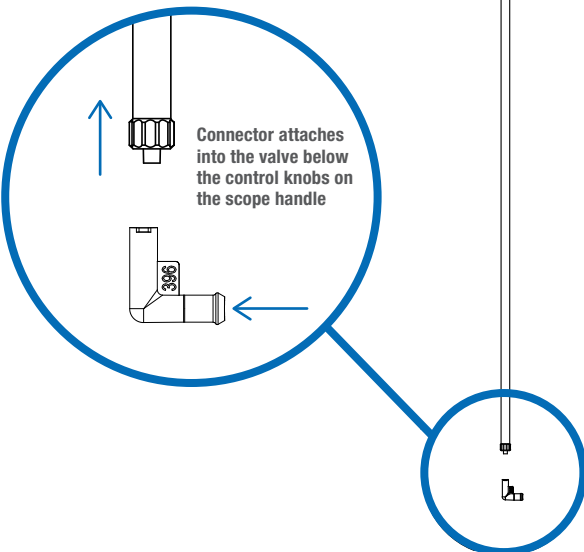
Depending on your scope model, either a biopsy cover or a luer plug is required, not both.

### Step 1

Attach the connector to the manifold tube

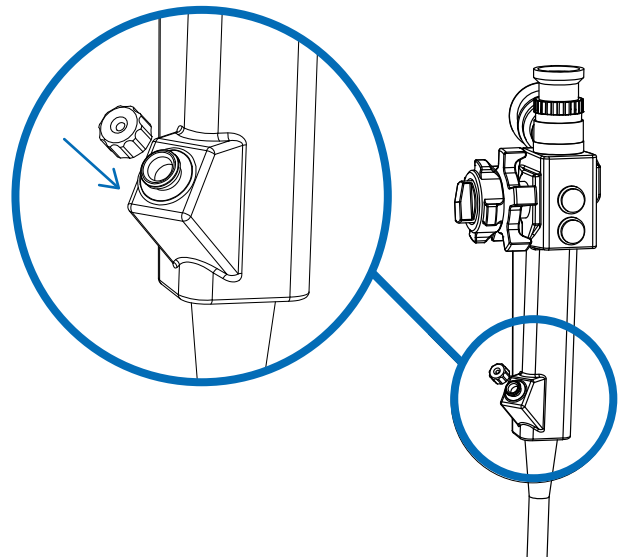
### Step 2

Insert the connector into the suction valve port below the control knobs on the scope body



### Step 3

Screw the plug into the biopsy valve



### Step 4

Slide the cover onto the biopsy valve

