

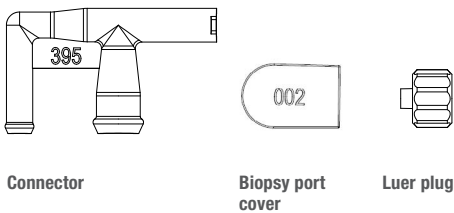
# Connector Kit Instructions

## Connector Kit 17 (SVCK17)

Follow these instructions to attach a connector to a scope.

### Kit includes:

- Connector
- Biopsy port cover
- Luer plug

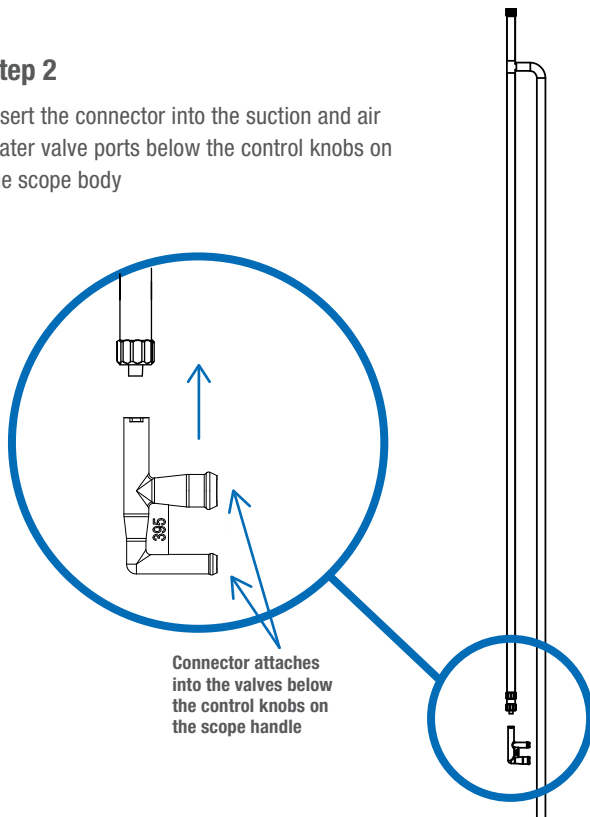


### Step 1

Attach the connector to the manifold tube

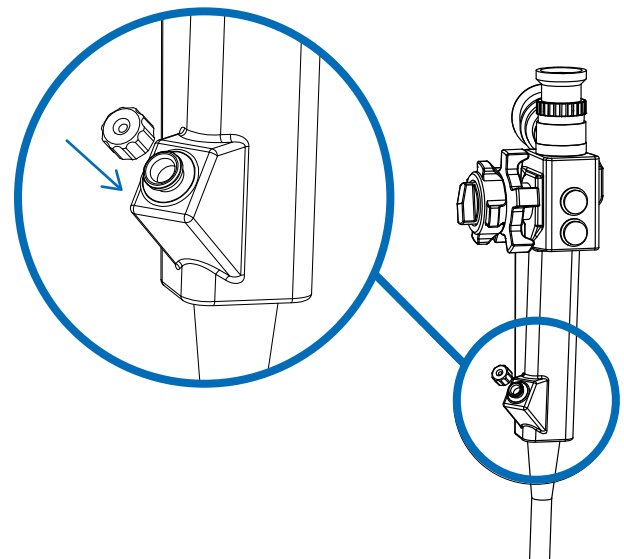
### Step 2

Insert the connector into the suction and air water valve ports below the control knobs on the scope body



### Step 3

Screw the plug into the biopsy valve



### Step 4

Slide the cover onto the biopsy valve

