

# Attaching Tilt Bins to a Tempo Cart

Follow these steps to attach tilt bins to a Tempo cart.

## Step 1

- Insert poles into holes located in the back of cart surface.

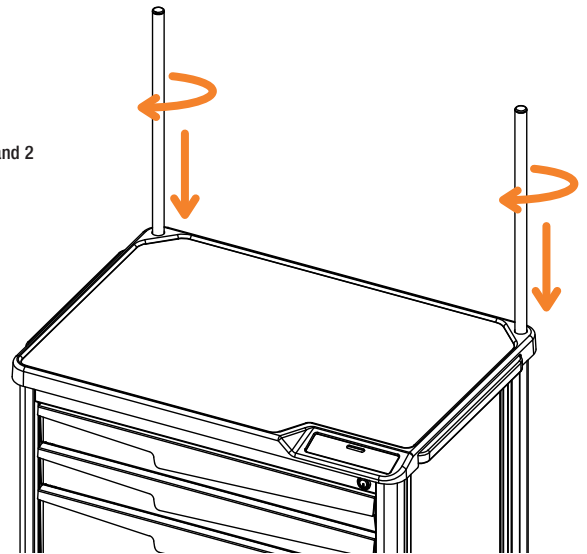
## Step 2

- Rotate pole clockwise until tightened.

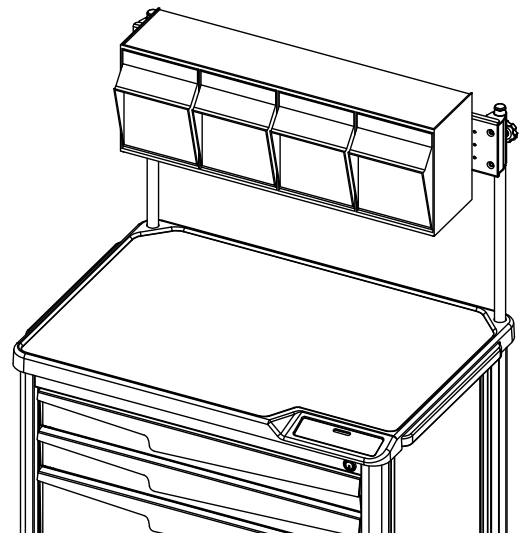
## Step 3

- Slide tilt bin brackets onto the poles. Set at desired height and rotate thumb screws clockwise until tightened.

Steps 1 and 2



Step 3



# InnerSpace

A SOLAIRE MEDICAL COMPANY

InnerSpace® specializes in storage solutions for all areas of your healthcare facilities. We offer a cohesive system of carts, cabinets, and modular casework that improves staff and facility efficiency and an organization's bottom line. Our InnerSpace portfolio is supplemented with the Quick line of open storage products.

You'll find InnerSpace's full product offering on GSA Advantage, Premier, and Vizion contracts.

Contact our service team with your requests or to connect with a sales representative. We're here to help you specify the best storage products for your needs, whether a standard option or customized solution. We offer complimentary storage analysis, design services, CAD support, and logistics and installation assistance.

**solaire**  
MEDICAL

P.O. Box 2808 | Grand Rapids, Michigan 49501  
888-435-2256 phone | 616-743-5944 fax | [solairemedical.com](http://solairemedical.com)



**QUICK!**