

Attaching a Surface Rail to a Tempo Cart

Follow these steps to attach a surface rail to a Tempo cart.

Tools needed:

#2 Phillips head screwdriver

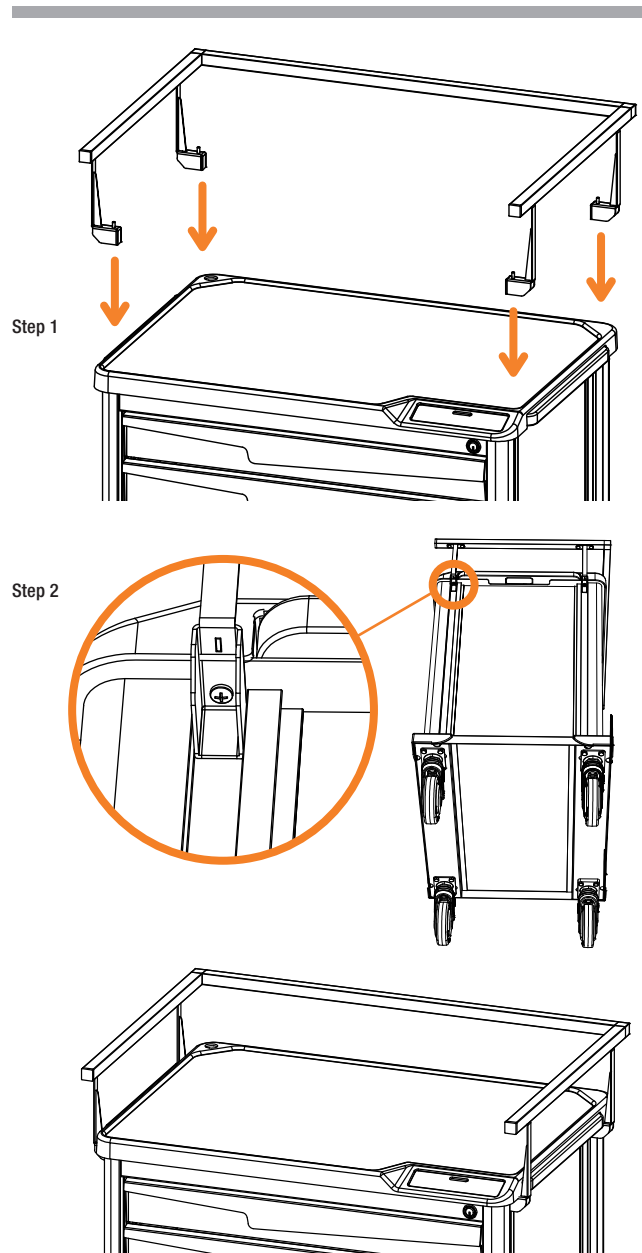
Attachment hardware included

Step 1

- Line up the holes on the surface rail brackets with the holes under cart surface.

Step 2

- Secure the surface rail to the cart surface with the 4 included screws.



InnerSpace

A SOLAIRE MEDICAL COMPANY

InnerSpace® specializes in storage solutions for all areas of your healthcare facilities. We offer a cohesive system of carts, cabinets, and modular casework that improves staff and facility efficiency and an organization's bottom line. Our InnerSpace portfolio is supplemented with the Quick line of open storage products.

You'll find InnerSpace's full product offering on GSA Advantage, Premier, and Vizion contracts.

Contact our service team with your requests or to connect with a sales representative. We're here to help you specify the best storage products for your needs, whether a standard option or customized solution. We offer complimentary storage analysis, design services, CAD support, and logistics and installation assistance.

solaire
MEDICAL

P.O. Box 2808 | Grand Rapids, Michigan 49501
888-435-2256 phone | 616-743-5944 fax | solairemedical.com



QUICK!