

Attaching a Flat Panel Monitor Arm to a Tempo Cart

Follow these steps to attach the monitor arm to the monitor arm bracket preinstalled on a Tempo cart.

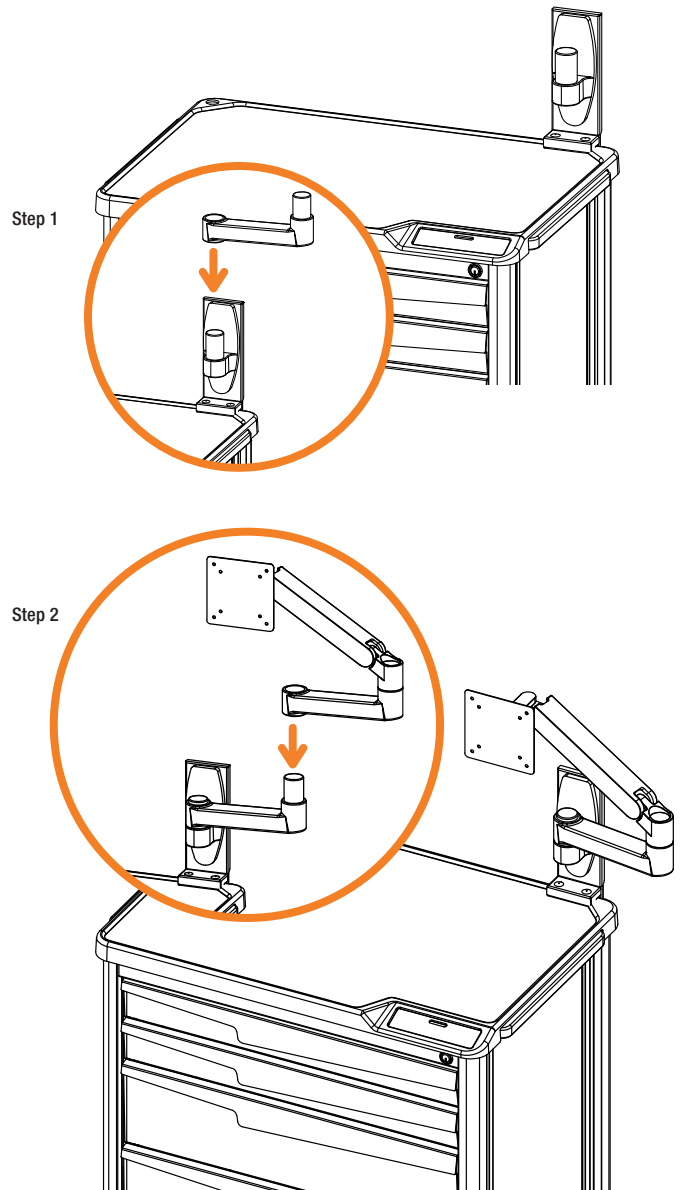
Hex key included

Step 1

- Insert the bottom section of monitor arm into the bracket and slide into place. Use the hex key to turn the set screw clockwise until tightened.

Step 2

- Insert the top section of the monitor arm into the base and slide it into place. Use the hex key to turn the set screw until tightened.



InnerSpace

A SOLAIRE MEDICAL COMPANY

InnerSpace® specializes in storage solutions for all areas of your healthcare facilities. We offer a cohesive system of carts, cabinets, and modular casework that improves staff and facility efficiency and an organization's bottom line. Our InnerSpace portfolio is supplemented with the Quick line of open storage products.

You'll find InnerSpace's full product offering on GSA Advantage, Premier, and Vizion contracts.

Contact our service team with your requests or to connect with a sales representative. We're here to help you specify the best storage products for your needs, whether a standard option or customized solution. We offer complimentary storage analysis, design services, CAD support, and logistics and installation assistance.

solaire
MEDICAL

P.O. Box 2808 | Grand Rapids, Michigan 49501
888-435-2256 phone | 616-743-5944 fax | solairemedical.com



QUICK!