

Scope Drying Retrofit Kit for Cabinets with Double Scope Manager

Follow these instructions to install a scope drying unit inside an Evolve cabinet with adjustable scope managers, cord retainers, and AireCore construction.

Additional installation of filters, electrical components and connections, and training is provided onsite by a product representative. Call your local sales representative or Customer Service at 888-435-2256 for assistance.

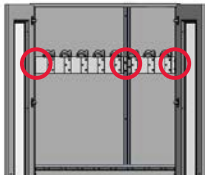
Tools needed:

- Drill with #2 Phillips bit or a Phillips screwdriver
- 9/64" Allen wrench
- Level

Attachment hardware included

Step 1

- Loosen, but don't remove, the 8 screws on the scope manager module.



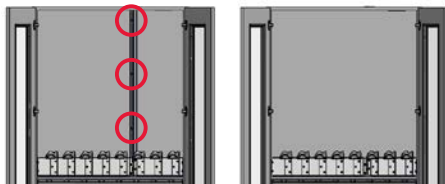
Step 2

- Slide the scope manager module down the center guide rail to the lowest position in the cabinet.



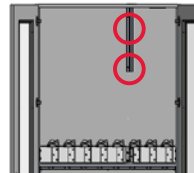
Step 3

- Remove the 3 mounting screws on the center guide rail and remove the rail.



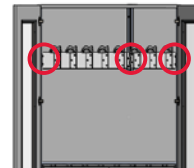
Step 4

- Attach the retrofit guide rail to the top 2 holes in the cabinet with 2 screws.



Step 5

- Slide the scope manager module into place and tighten the 8 screws.



Step 6

- Use a level to ensure that the module height is even across the cabinet.

Continued on back

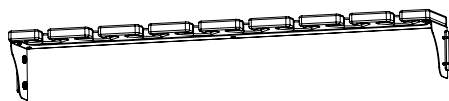
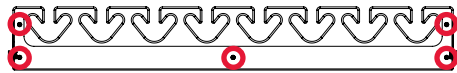
Scope Drying Retrofit Kit for Cabinets with Double Scope Manager

page 2



Step 7

- Remove the 5 screws from the underside of the cord retainer bracket and remove the cord retainer.

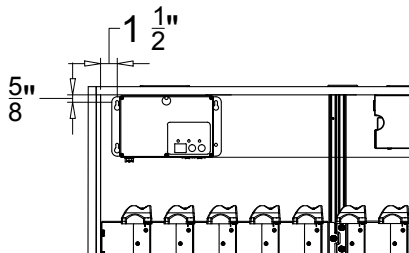


Step 8

- Attach the new cord retainer to the bracket using the 5 screws.

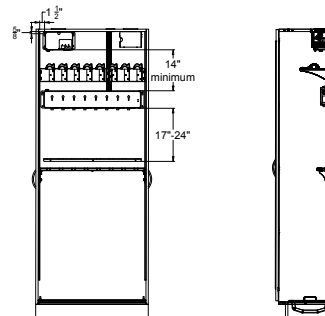
Step 9

- Position the pump $1\frac{1}{2}$ " from the upper left corner and $\frac{5}{8}$ " from the top of cabinet and attach using 4 wood screws.



Step 10

- Position the manifold a minimum of 14" from the bottom of the pump to the top of the manifold and attach to the 4 corners of the manifold with 4 wood screws.

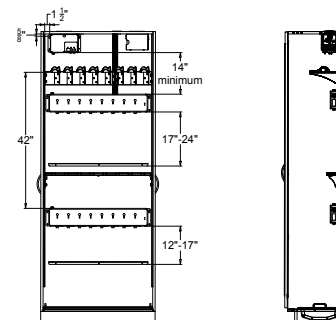


Step 11

- Position the bottom manifold a minimum of 42" from the bottom of the scope manager and attach to the 4 corners of the manifold with 4 wood screws.

Step 12

- Position the top tubing management strip 17"-24" from the bottom of the top manifold to the tubing management strip and the bottom tubing management strip 12"-17" from the bottom of the bottom manifold to the tubing management strip. Attach each tubing management strip using 3 wood screws for each strip.



Storage solutions for healthcare

Solaire Medical | P.O. Box 2808 | Grand Rapids, Michigan 49501
888-435-2256 phone | 616-743-5944 fax | solairemedical.com