

Replacement Instructions for Roam Door Hinge



Replacement Instructions for Roam Door Hinge

Replacement Information

- Hinge replacement can be completed by 1 person
- Repair person must be able to lift 20 lbs
- Duration: 30-60 minutes per door
- Difficulty: Intermediate

Tools Needed

- Phillips screwdriver or driver bit with extension (4" minimum)
- 1/4" hex nut driver or socket
- 3/8" hex nut driver or socket
- Drill
- Step stool

Included

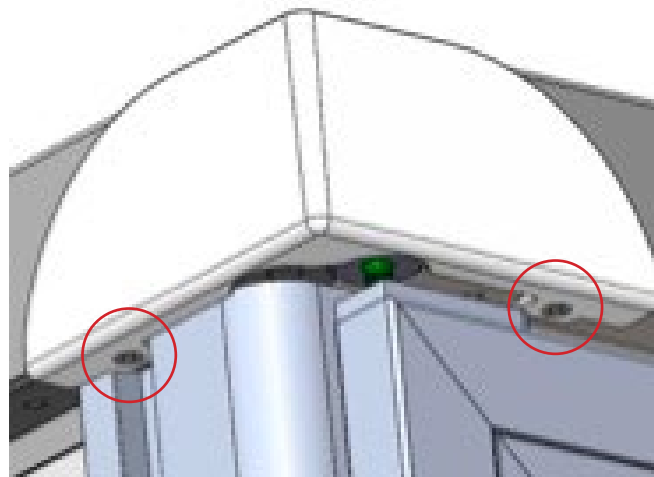
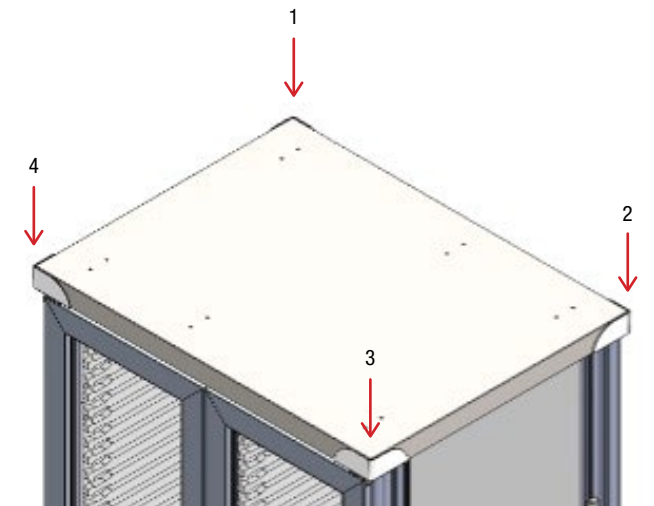
- 6 pop rivets
- 2 flat hinge plates with stud
- 2 bend hinge plates
- 2 hinge attachment plates
- 1 metal flange bushing
- 2 washers
- 1 nylock nut
- 3/16" drill bit
- Pop rivet gun

Replacement Instructions for Roam Door Hinge

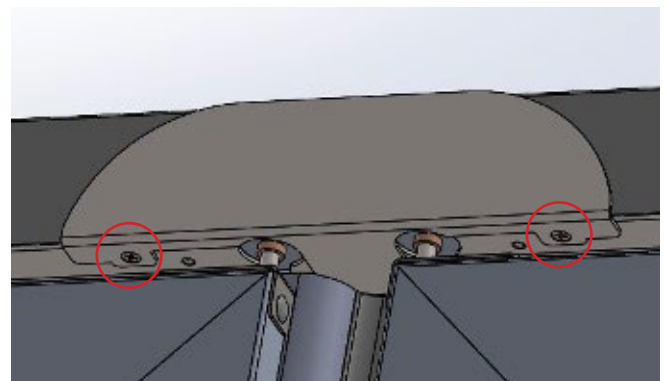
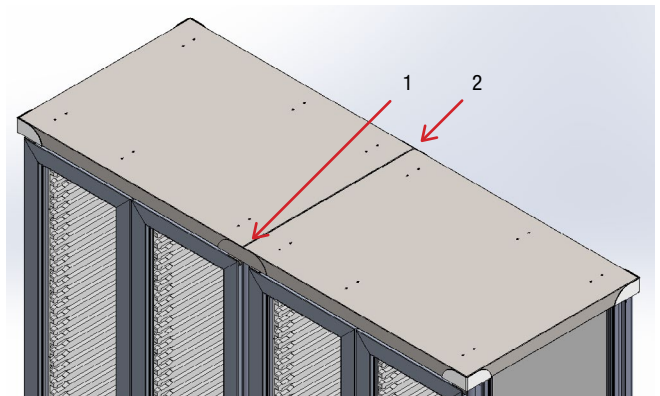
Follow these instructions to replace the door hinges on your Roam carts.

Door Disassembly Instructions

1. Remove the 2 screws from each of the 4 top corner trim pieces using a Phillips screwdriver or driver bit with extension. Set aside corner trim pieces and screws

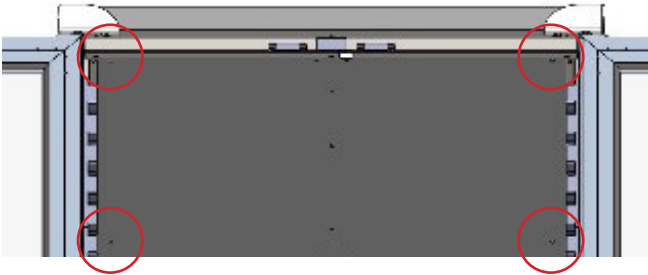


If replacing hinges on a Roam 4 cart, remove the 2 screws from each of the 2 top center trim pieces using a Phillips screwdriver or driver bit with extension. Set aside the center trim pieces and screws

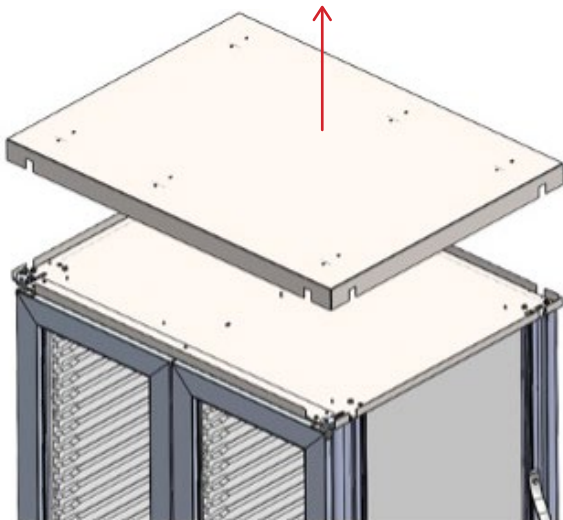


Replacement Instructions for Roam Door Hinge

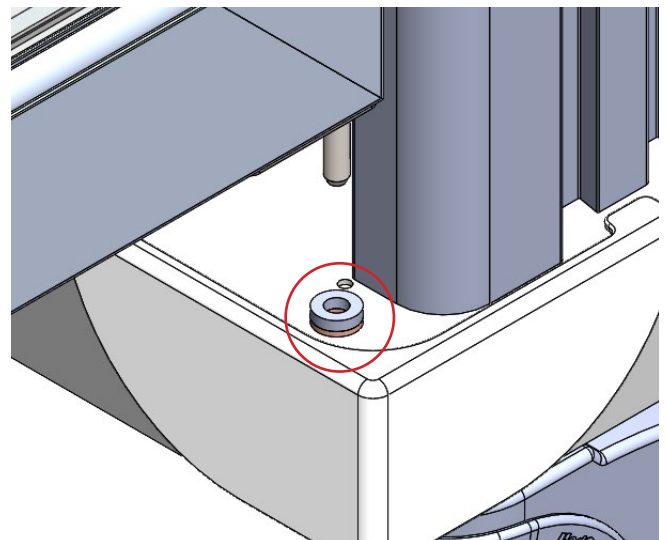
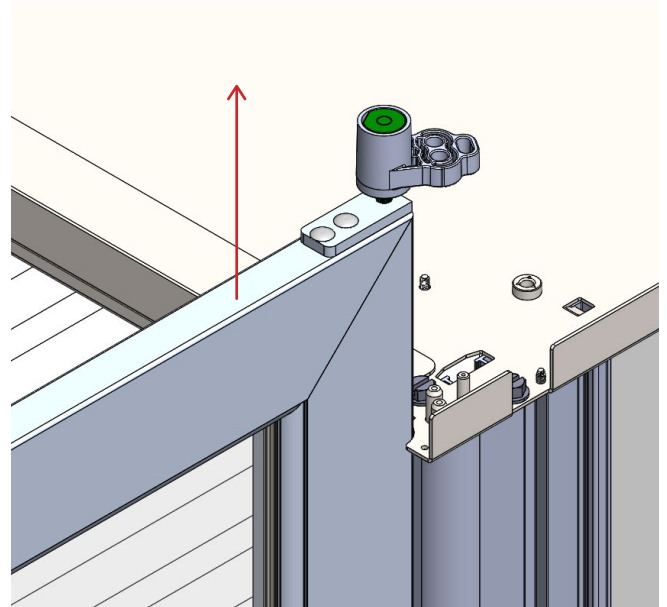
2. Remove the 4 top mounting screws inside the cart using a ¼" hex nut driver or socket. Set aside screws. If replacing the hinge on a Roam 4 cart, you will remove a total of 8 screws (4 per each cart half). See illustration below for screw locations



3. Lift off cart top and set aside



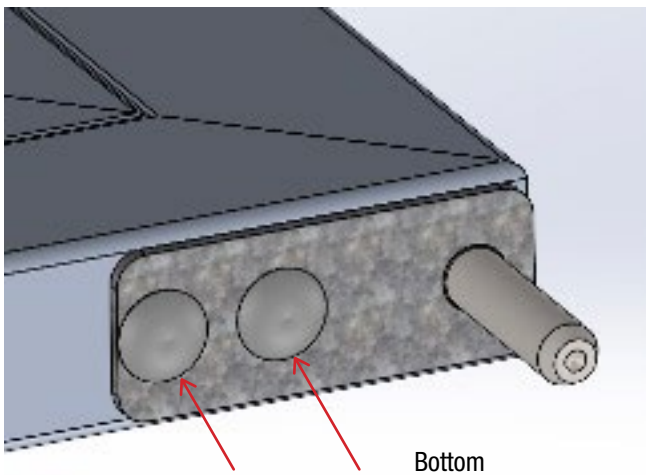
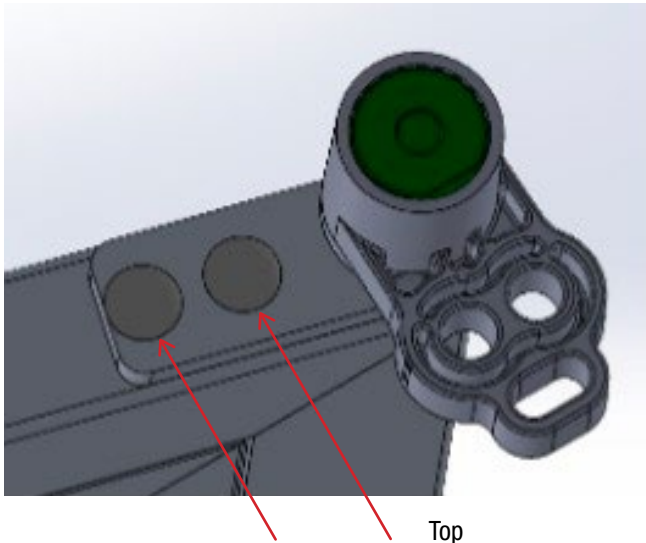
4. Using a ¼" nut driver or socket, remove the 2 outer screws from the inside front upper edge of the cart and set aside. While holding the valance (shown in blue), remove the center screw. Set valance and screw aside



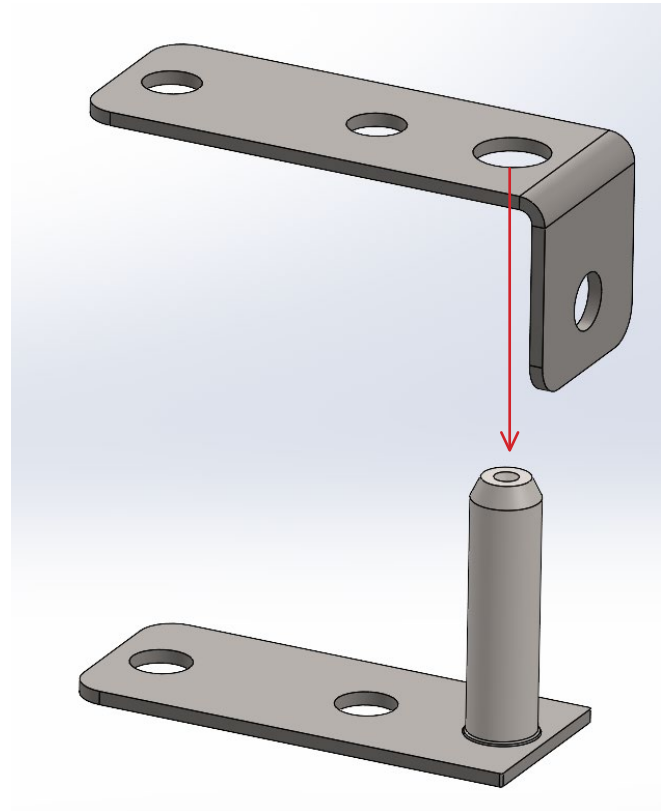
Replacement Instructions for Roam Door Hinge

Door Assembly Instructions

- Using a drill and the 3/16" drill bit, position the drill bit on the center of the rivet head and remove the rivet from the door. Repeat this 2 times for each hinge (as shown below) to remove the top and bottom hinges from the door. Discard both the top and bottom hinges when removed

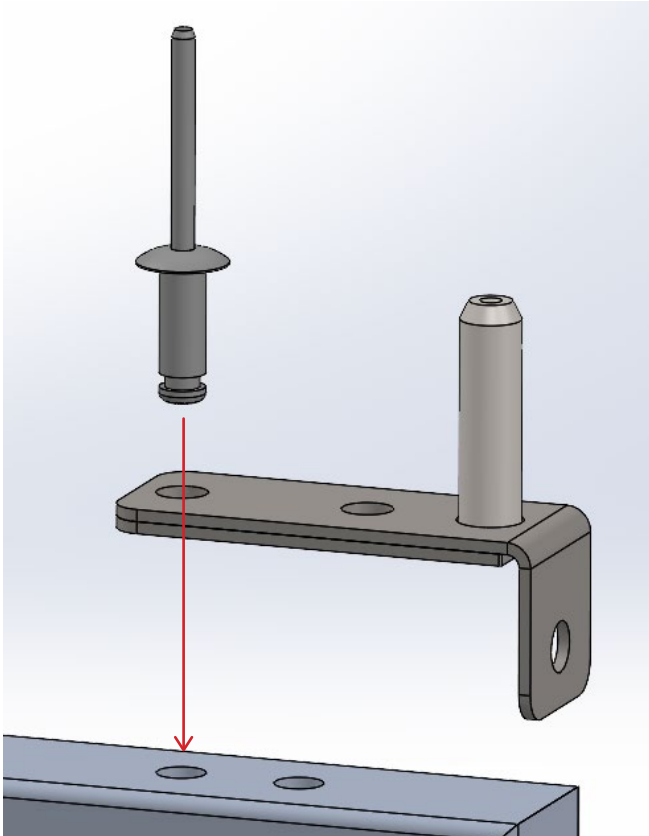


- Set the bent hinge plate on the flat hinge plate with stud so that the stud goes through the large hole on the bent hinge plate

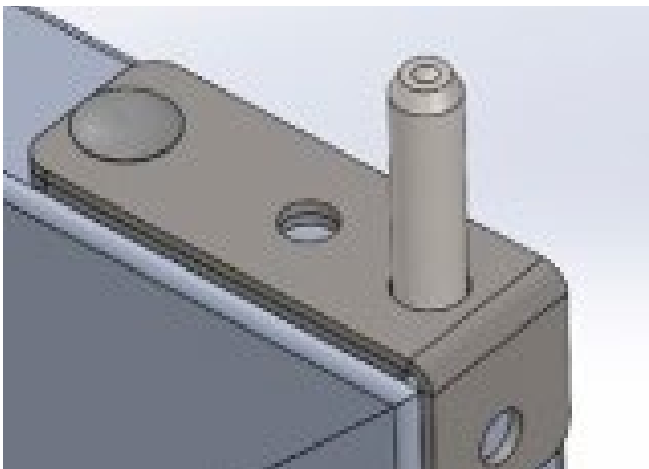
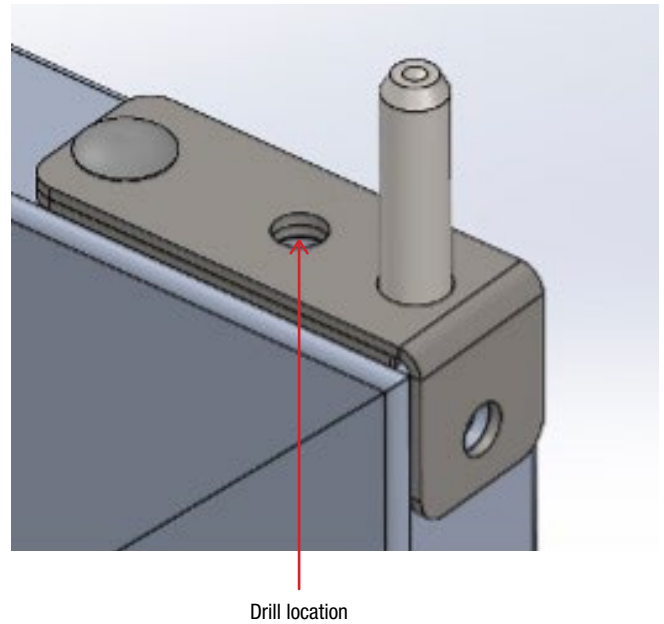


Replacement Instructions for Roam Door Hinge

7. Starting at the top of the door, align the new hinge assembly on the door so that the outer hole aligns with the existing hole in the door. Place a rivet in the hole. Make sure the underside of the rivet head is flat with the hinge assembly, and set the rivet using the pop rivet gun

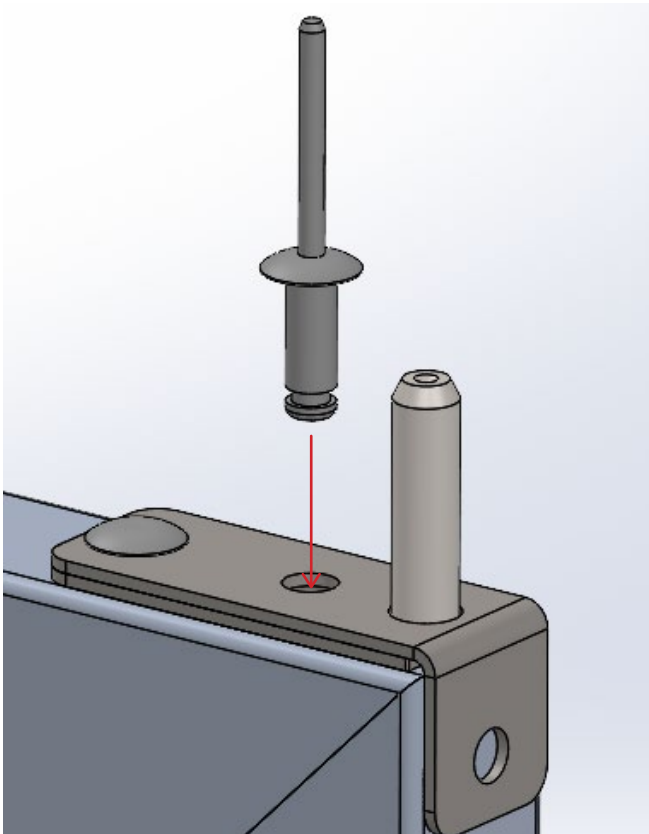


8. Using the 3/16" drill bit, drill a hole in the door frame through the top open hole of the door hinge assembly

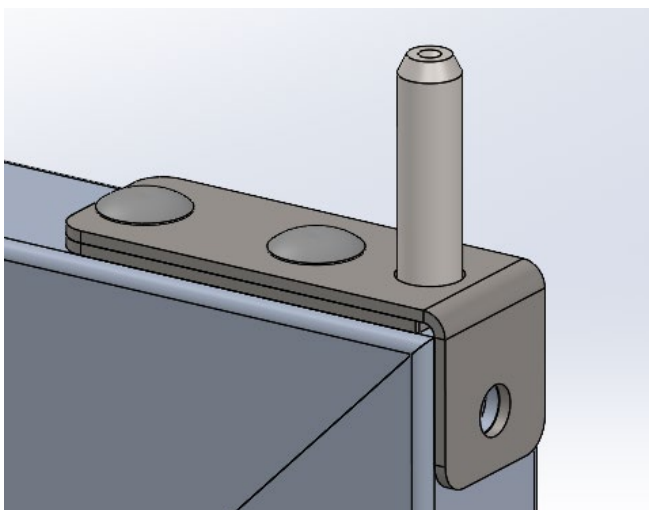
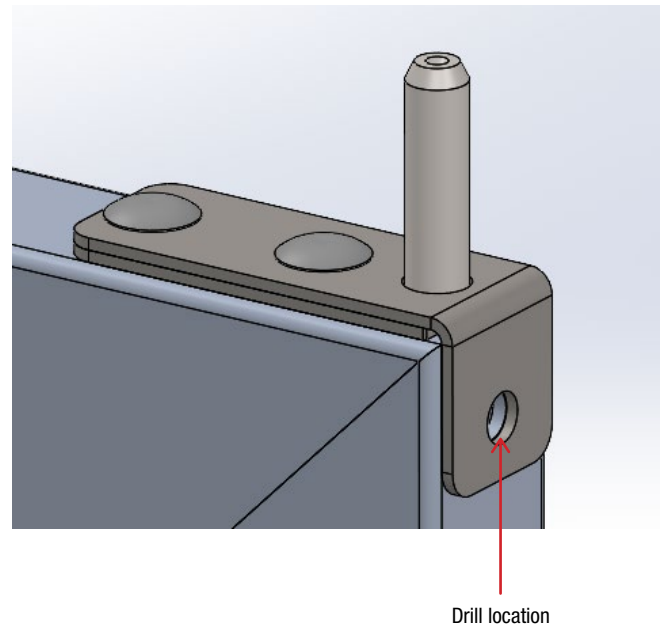


Replacement Instructions for Roam Door Hinge

9. Place a rivet into the second hole on the hinge assembly. Make sure the underside of the rivet head is flat with the hinge assembly, and set the rivet using the pop rivet gun

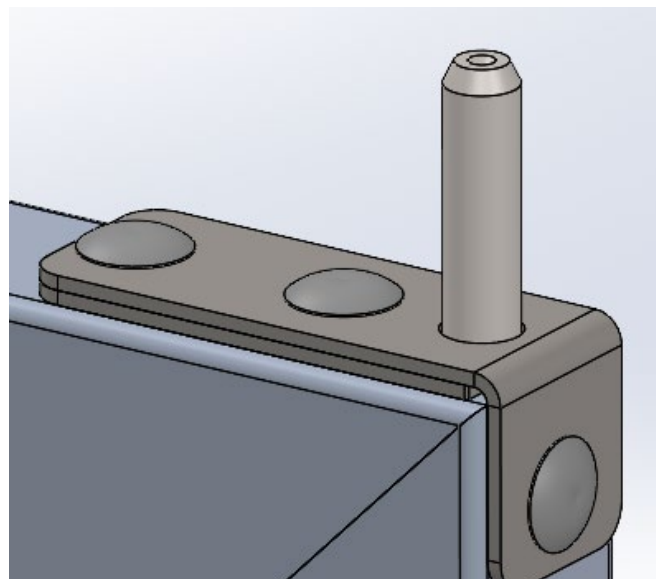
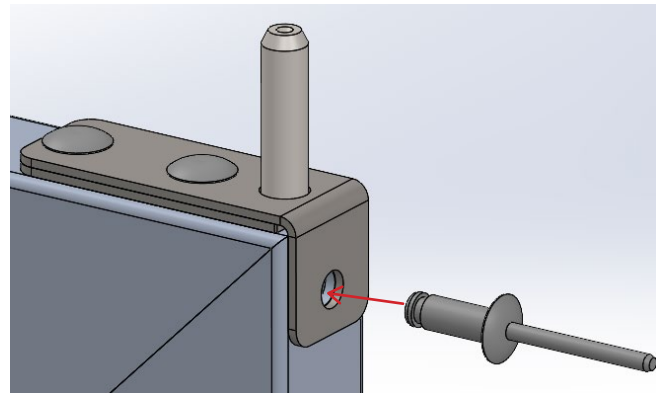


10. Using the 3/16" drill bit, drill a hole into the side door frame through the open hole of the door hinge assembly



Replacement Instructions for Roam Door Hinge

11. Place a rivet in the side hole of the hinge assembly. Make sure the underside of the rivet head is flat with the hinge assembly, and set the rivet using the pop rivet gun

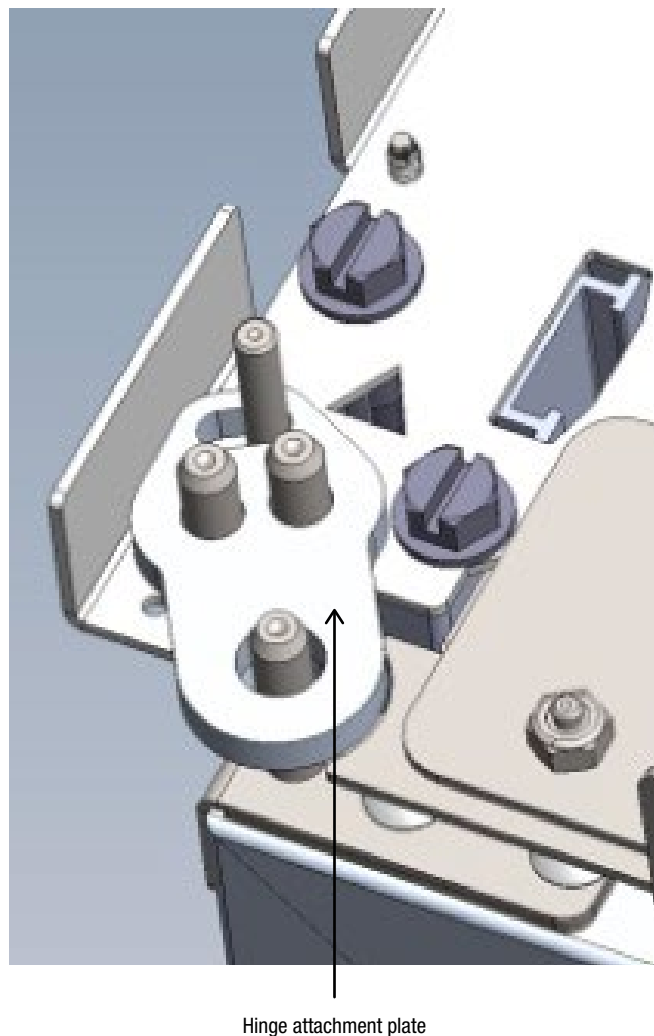
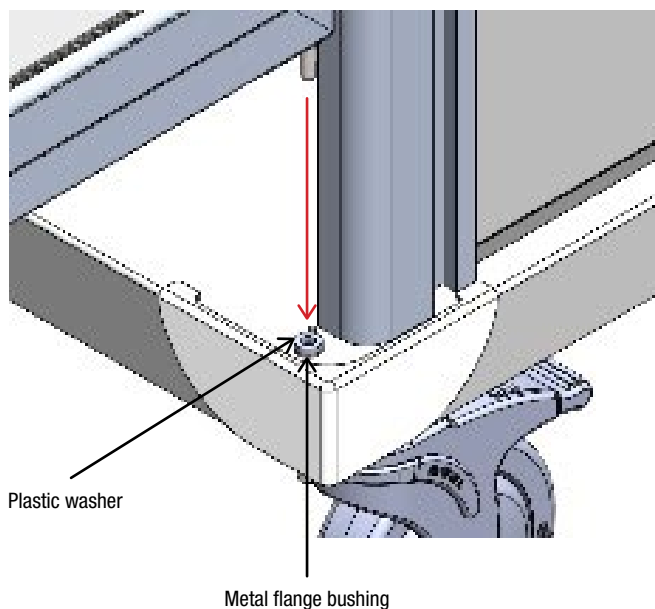


12. Repeat steps 5 through 11 for the bottom hinge assembly

Replacement Instructions for Roam Door Hinge

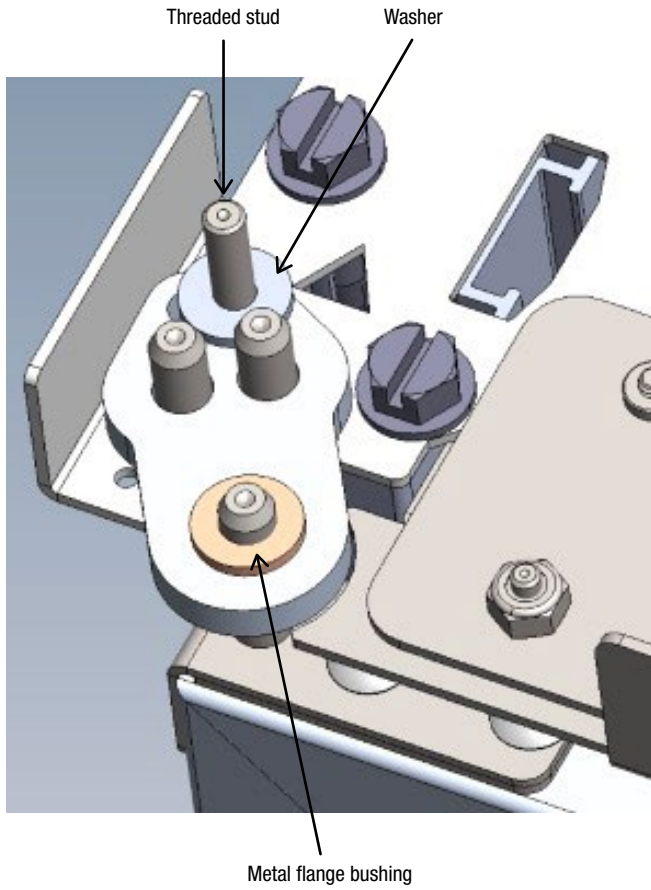
Door Replacement Instructions

13. Take the set-aside plastic washer and place it on top of the metal flange bushing on the bottom of the cart. Place 1 hinge attachment plate on top of the cart near the front corner being worked on. Holding the bottom and side of the door, guide the bottom hinge pin into the plastic washer and metal flange bushing until the door is fully in place. Make sure the hinge pin is through the plastic washer. If not, replace this assembly process until the washer is on the hinge pin. With door properly inserted into the bottom bushing, continue to hold the door while placing the hinge attachment plate set on top of the cart over the 3 pins on the top of the cart and the pin of the new top hinge. Once the hinge plate is fully in place, the door is secure and you no longer need to hold it

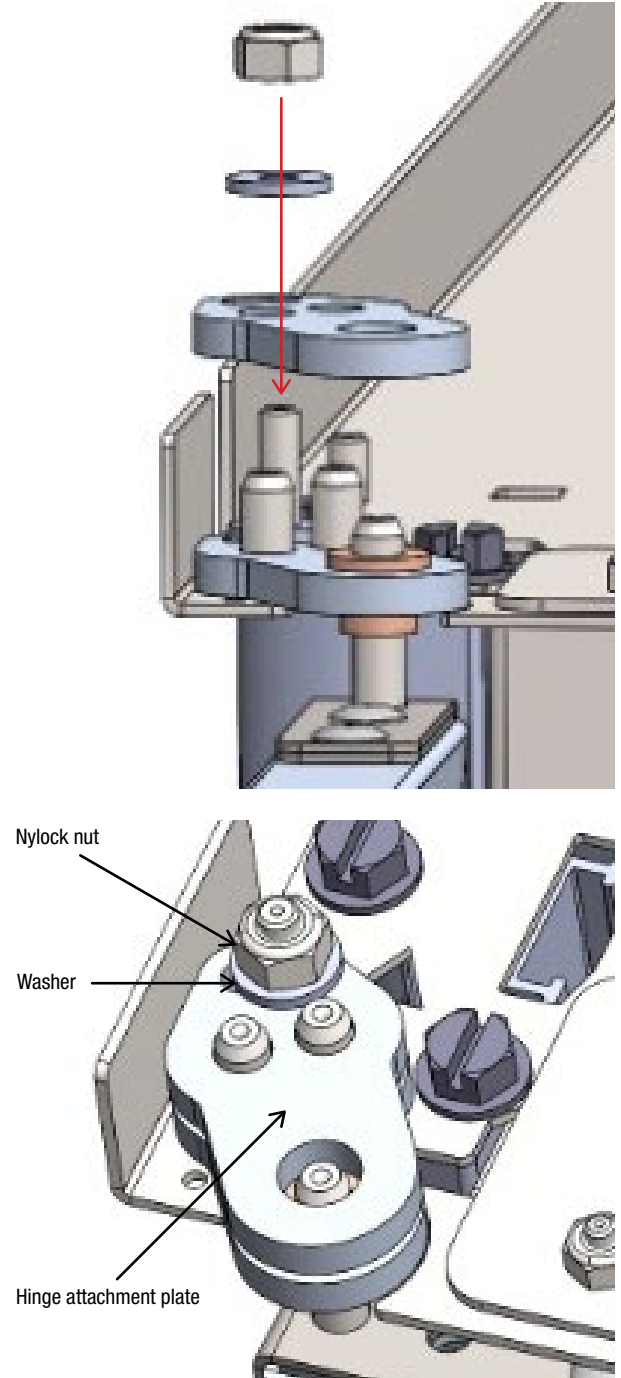


Replacement Instructions for Roam Door Hinge

14. Install the metal flange bushing into the hinge plate hole over the pin of the door hinge until the underside of the flange bushing is flush with the top of the hinge attachment plate. Put 1 washer over the threaded stud



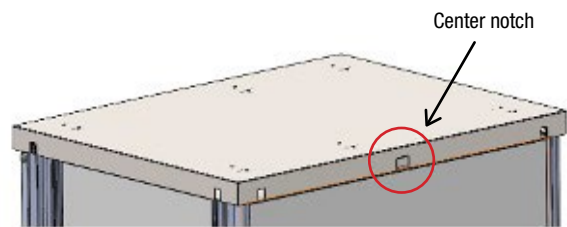
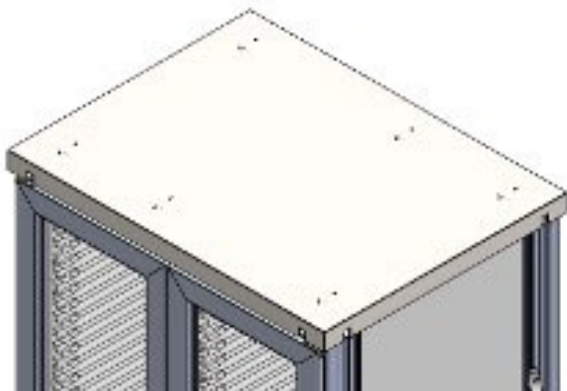
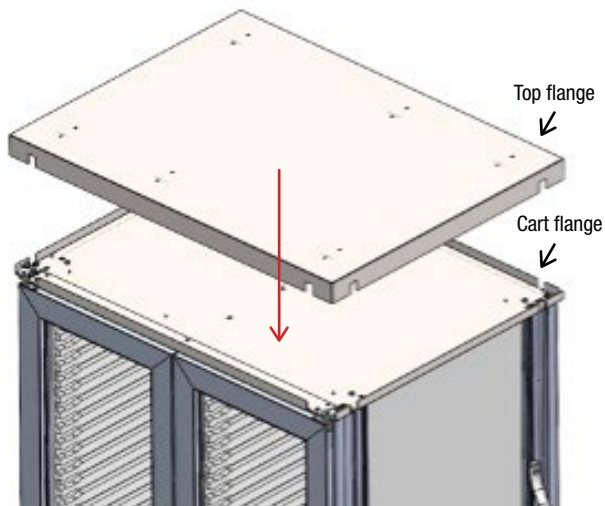
15. Place the second hinge attachment plate over the 3 pins on the top of the cart. Place 1 washer over the threaded stud and install the nylock nut using a 3/8" hex nut driver or socket to secure the hinge plate assembly



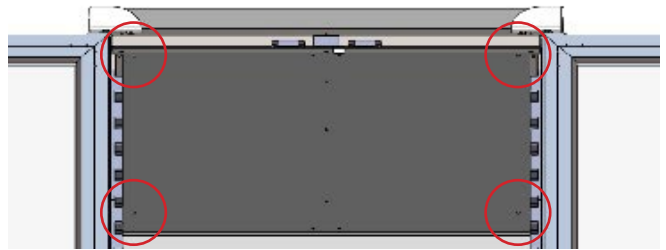
Replacement Instructions for Roam Door Hinge

16. Repeat steps 5 through 16 if more than one door is being replaced on the cart

17. Place the set-aside top on the cart, making sure all outer flanges of the top are outside of the cart flanges and that the center notch is in the back of the cart

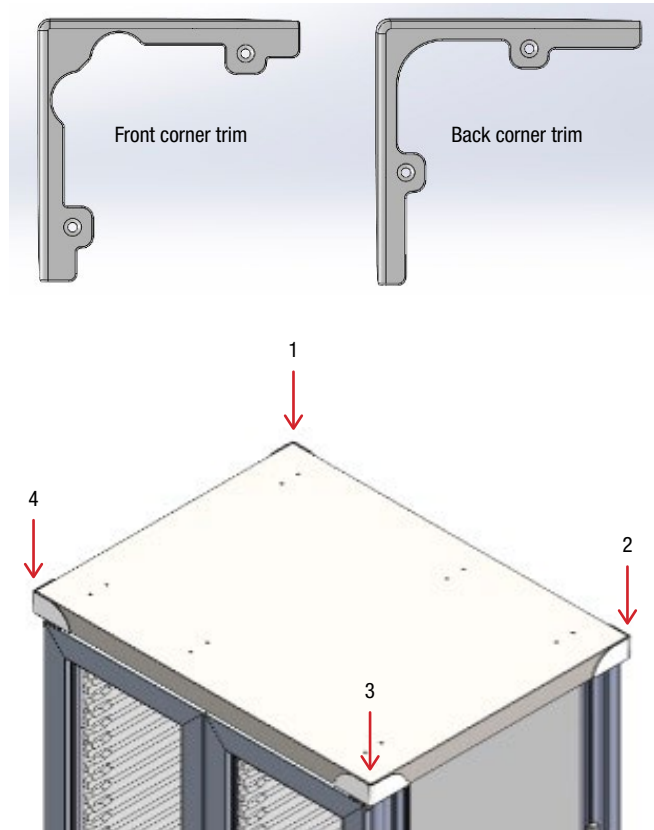


18. Install the set-aside mounting screws on the inside of the cart in the 4 corners using a ¼" hex nut driver or socket. On Roam 4 carts, there are a total of 8 screws to install (4 per each cart half). See illustration below for screw location



Replacement Instructions for Roam Door Hinge

19. Using a Phillips screwdriver or driver bit with extension, attach the 4 top corner trim pieces by inserting the 2 set-aside screws from each corner trim piece. Note: The front and back trim pieces are different, so ensure you have the correct piece for proper installation



For a Roam 4 cart, attach the 2 top center trim pieces by fastening the 2 screws for each center trim piece using a Phillips screwdriver or driver bit with extension

