

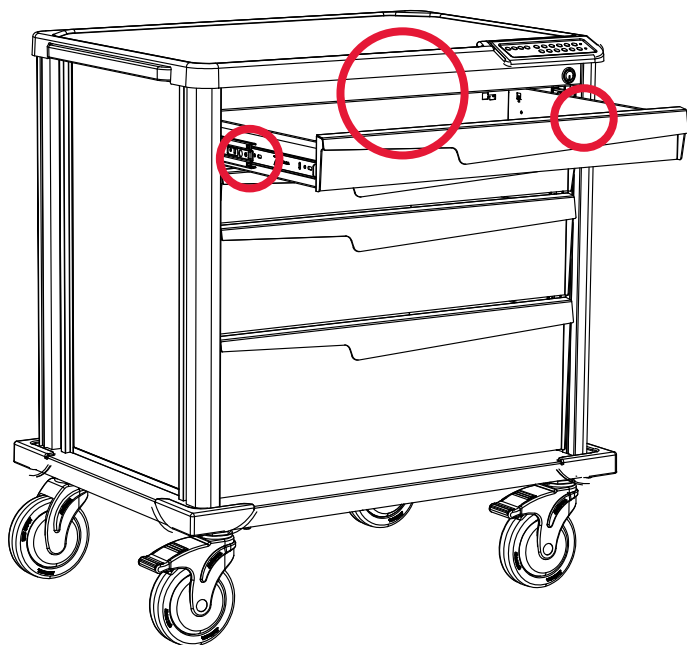
Follow these instructions to replace batteries in Tempo carts and Rover workstations.

To replace batteries, you'll need:

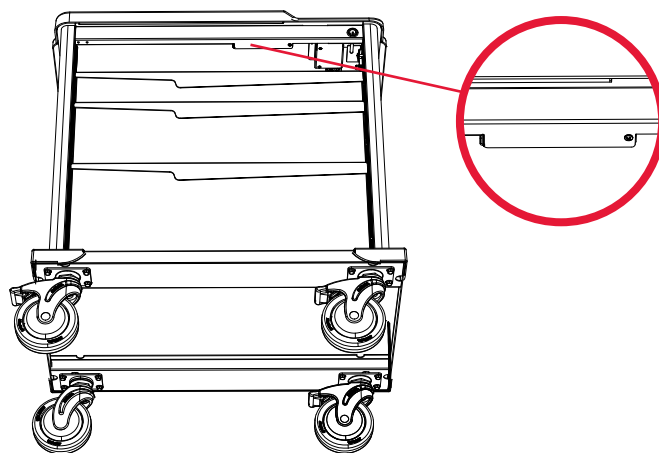
- 8 AA batteries (industrial alkaline recommended)
- Phillips screwdriver

Replacement instructions:

- Open top drawer halfway
- Locate drawer glide lock tabs on each side of drawer; swing tabs to release and remove drawer
 - *Note: If top drawer is 3" h, you may need to remove the top 2 drawers to make room for screwdriver*



- Unplug battery pack cord from cart
- Loosen screw on battery pack shelf



- Pull out battery pack holder and remove battery pack



- Remove and replace batteries
- Replace battery pack in the battery pack holder
- Replace battery pack holder in cart and slide it all the way to the left
- Tighten screw
- Reattach battery cord to the cart and place drawer(s) back into cart