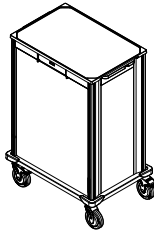


Replacing Batteries in Pace Carts

Follow these instructions to replace the batteries in your Pace cart.

To replace batteries, you'll need:

- 8 C-cell batteries (alkaline recommended)

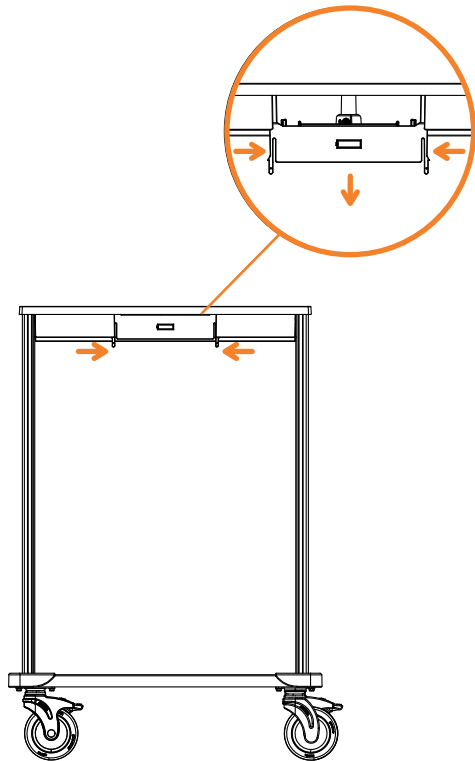


Step 1

Locate the battery door on the back of the cart.

Step 2

Push in the battery door tabs until loose and then slide door down.



Step 3

Lift and remove the battery pack from the cart.

Step 4

Replace batteries, and then put the battery pack back into the cart.

Step 5

Slide the battery door up until it clicks into place.