

Installation Instructions – Evolve Cabinets

Follow these installation instructions for Evolve upper, base, tall, and scope cabinets with AireCore or wood composite construction.

Tools needed:

- Flat head screwdriver
- Level

Preparing for cabinet installation

Step 1

- Identify the location and placement of your cabinets and clean floor and surrounding area.

Step 2

- If infill panels are needed, attach infill panel directly to the inside of the cabinet with wood screws before installing cabinets.

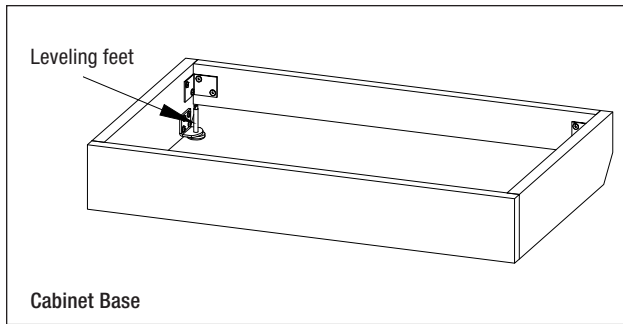
Installing a single base, tall, or scope cabinet

Step 1

- Position base against the wall. Access leveling feet inside of base, and, with a flat head screw driver, adjust the four leveling feet until the cabinet is level.

Step 2

- Mount the base directly to wall studs using appropriate fasteners for the type of wall construction.



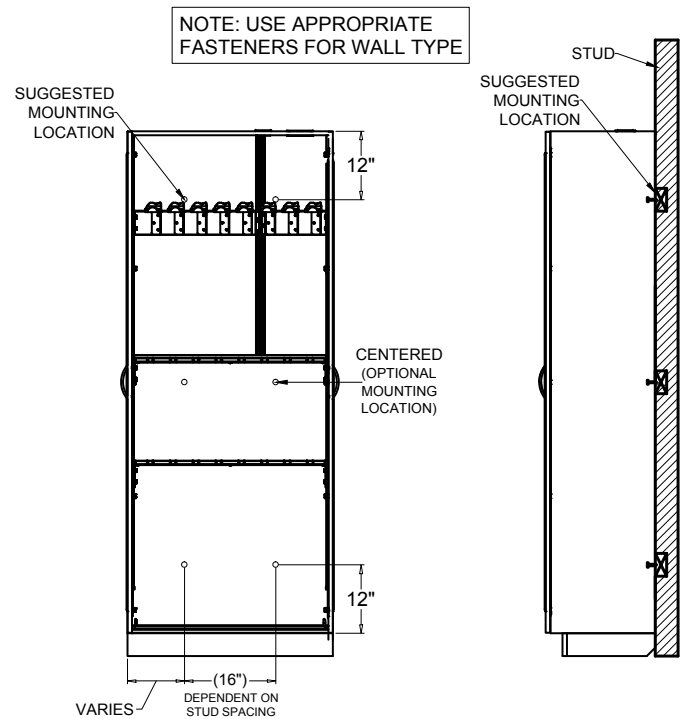
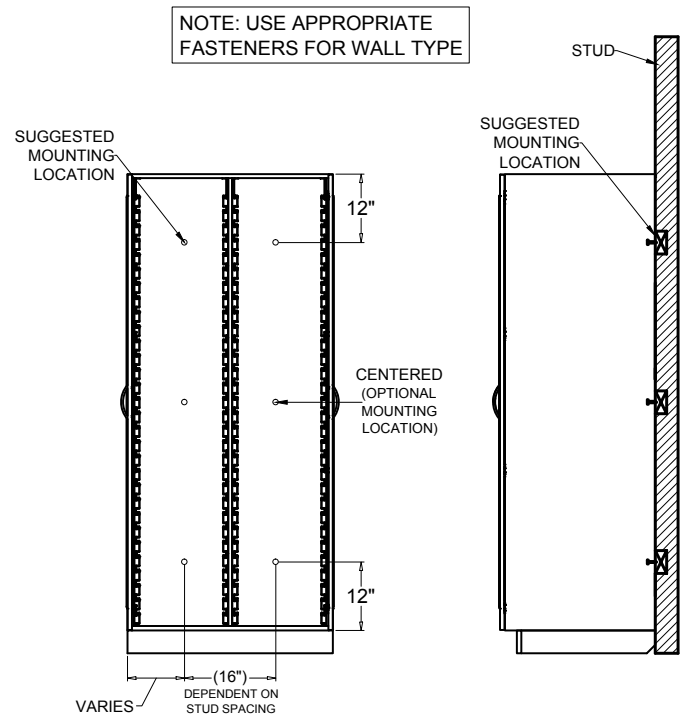
Step 3

- Place the cabinet onto the base.

Step 4

- Plumb the cabinet and secure it to the wall through the back panel using appropriate fasteners. See figure for placement.

Questions? Call a Technical Services representative at 888-435-2256



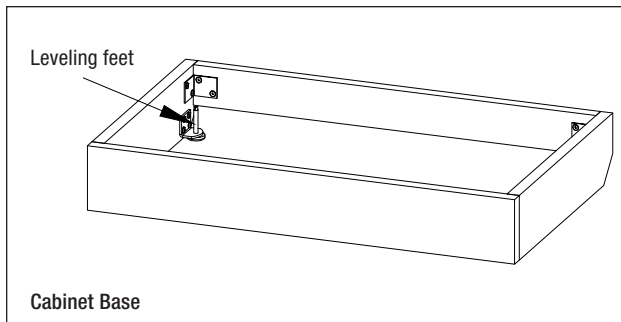
Installing multiple base, tall, and scope cabinets

Step 1

- Attach the run of bases together using wood screws, making sure the bases are flush front to back and top to bottom. Position the run of bases against the wall. Access leveling feet inside of bases, and, with a flat head screwdriver, adjust the feet until the run of bases is level.

Step 2

- Mount the bases directly to wall using appropriate fasteners for the type of wall construction.



Step 3

- Place the end cabinet on the base. For cabinet with no finished ends or two finished ends, center the cabinet. For cabinet with one finished end, flush the adjacent cabinet and base end panels.

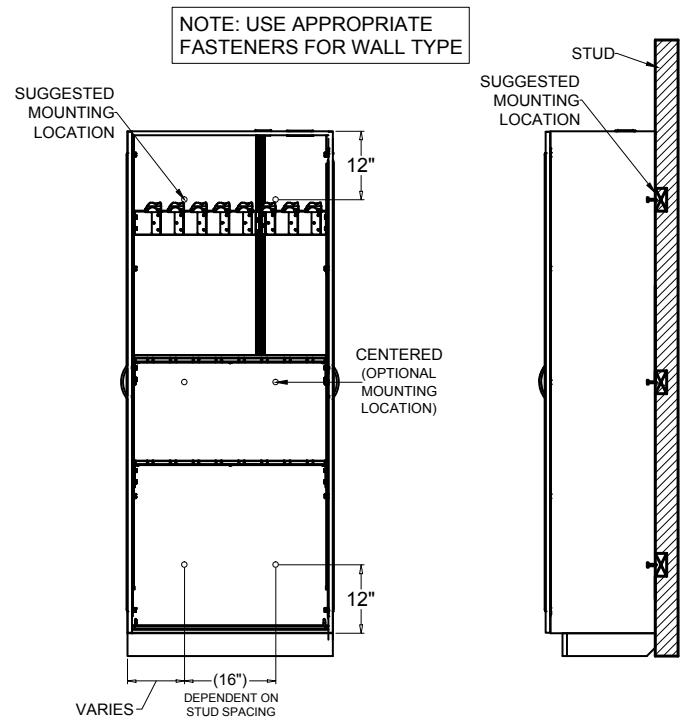
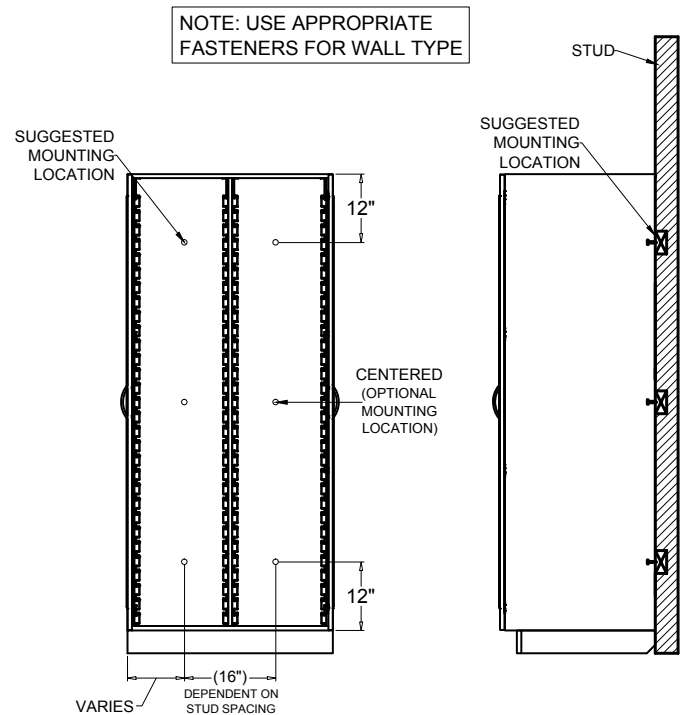
Step 4

- Plumb the cabinet and secure it to the wall through the back panel using appropriate fasteners. See figure for placement.

Step 5

- Repeat Steps 1-4 with additional cabinets, making sure each is level and plumb.

Questions? Call a Technical Services representative at 888-435-2256



Installing upper wall cabinets

Step 1

- Determine location of upper cabinet or cabinet run. Using a level, draw a line marking location of the bottom of the cabinet.

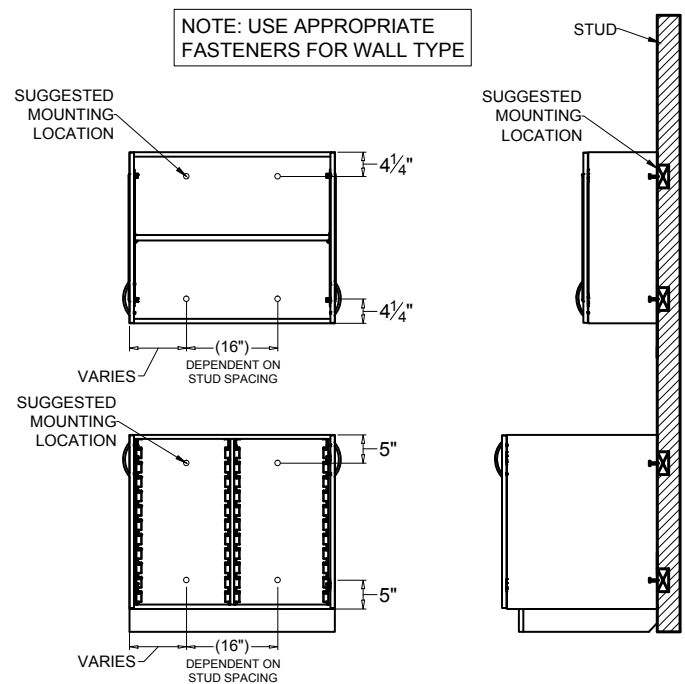
Step 2

- Position cabinet bottom at marked line, making sure cabinet is level and plumb, and mount the cabinet directly to wall studs using appropriate fasteners for the type of wall construction. See figure for fastener placement.

Step 3

- To eliminate gaps in a cabinet run, drill pilot holes $1\frac{1}{2}$ " from the interior front edge of cabinet and $1\frac{1}{2}$ " from the inside top and bottom of cabinet. Tighten side-by-side cabinets with $1\frac{1}{4}$ " wood screws.

Questions? Call a Technical Services representative at 888-435-2256

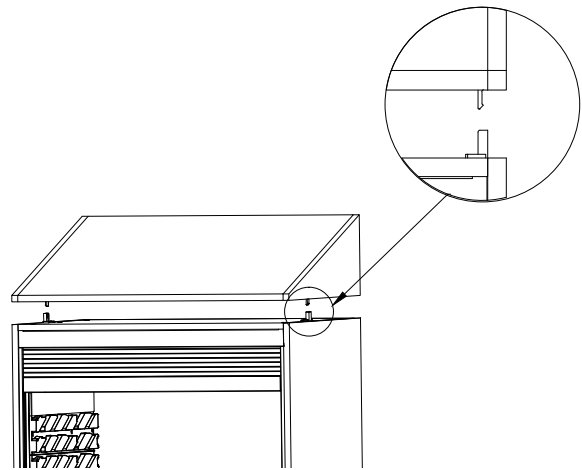


Attaching slope tops to Evolve cabinets

For cabinets with roll-top doors

Step 1

- Align the clips on the top of the cabinet and the bottom of the slope top. Place the slope top on the cabinet. Make sure all 4 clips are engaged.



For cabinets with hinged doors

Step 1

- Measure the distance from the front edge of the slope top to the center support. See Step 1 figure.

Step 2

- Place the slope top on the cabinet. See Step 2 figure.

Step 3

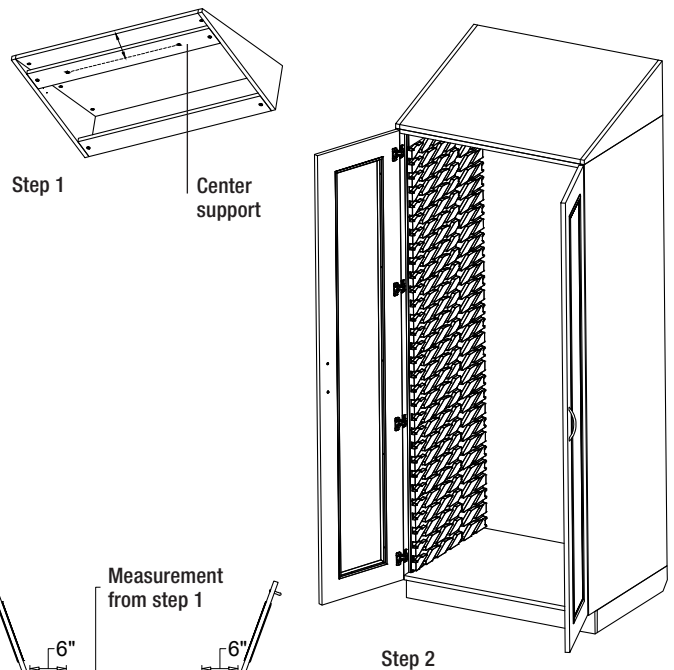
- To determine screw placement to connect the slope top to the cabinet, take these measurements and mark locations. See Step 3 and 4 figure.

- 1: screw location from Step 1
- 2: measure 6" toward center from both the right and left side of the cabinet
- 3: measure 1 1/4" from the back of the cabinet

Note: Recommend pre-drilling the marked screw locations.

Step 4

- Attach the slope top to the cabinet from the inside of the cabinet using 1 1/4" wood screws (total of 4 screws).



Steps 3 and 4

Questions? Call a Technical Services representative at 888-435-2256

InnerSpace

PORTFOLIO OF PRODUCTS

Solaire Medical specializes in storage solutions for all areas of your healthcare facilities. We offer the InnerSpace® portfolio of products, a cohesive system of carts, cabinets, and modular casework that improves staff and facility efficiency and an organization's bottom line.

When you purchase our products, you're buying products made in the U.S.A. and from a direct manufacturer that delivers on-time and error-free.

Contact our service team with your requests or to connect with a sales representative. We're here to help you specify the best storage products for your needs, whether a standard option or customized solution. We offer complimentary storage analysis, design services, CAD support, and logistics and installation assistance.

Call to schedule a free storage consultation.

solaire
MEDICAL

Solaire Medical | P.O. Box 2808 | Grand Rapids, Michigan 49501
888-435-2256 phone | 616-743-5944 fax | solairmedical.com

© 2018 Solaire Medical, Grand Rapids, MI 49501
© InnerSpace is a registered trademarks of Solaire Medical, Grand Rapids, MI 49501
75K0918



Roam
Supply Carts



Rover
Workstations



Tempo
Procedure Carts



Evolve
Cabinets



Evolve
Casework