

Integro Surgical Products

# Closed Case Cart Accessory Installation Instructions

---



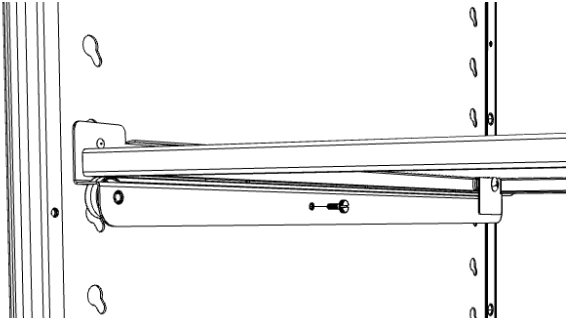
# Closed Case Cart

## Accessory Installation Instructions

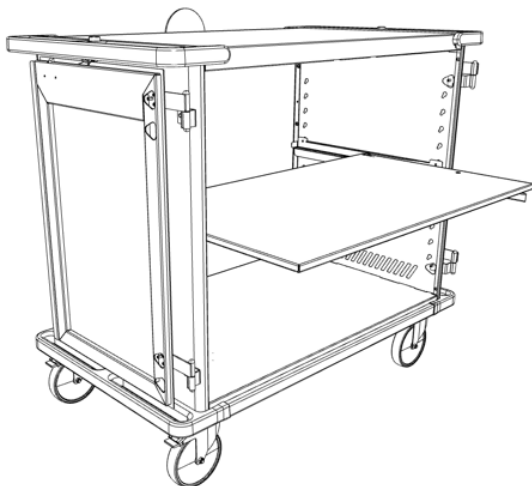
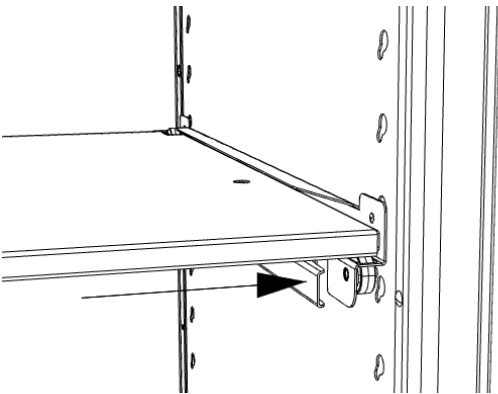
Integro Surgical Products

### Adding/ Removing / Changing Shelves

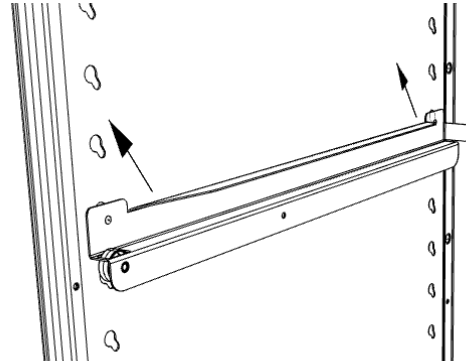
1. Remove thumb screw beneath shelf on left side.



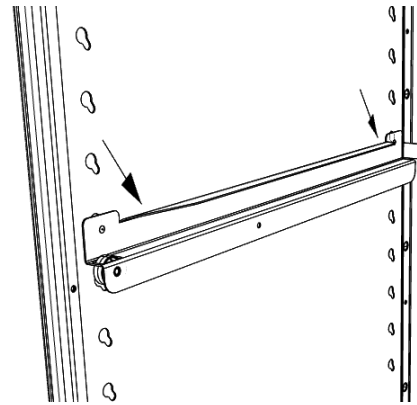
2. For stationary shelves, simply pull out to remove.  
For roll-out shelves, depress lever on right side under shelf and remove shelf.



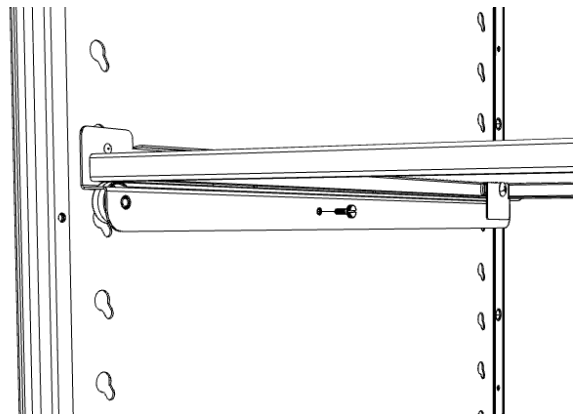
3. Remove shelf slides by pulling slide up and toward you at a 45 degree angle.



4. Adjust bracket to desired height by sliding it down and away from you at a 45 degree angle and aligning it over the holes in the cart wall.



5. Slide shelf into bracket, reinsert thumbscrew, and tighten the screw.



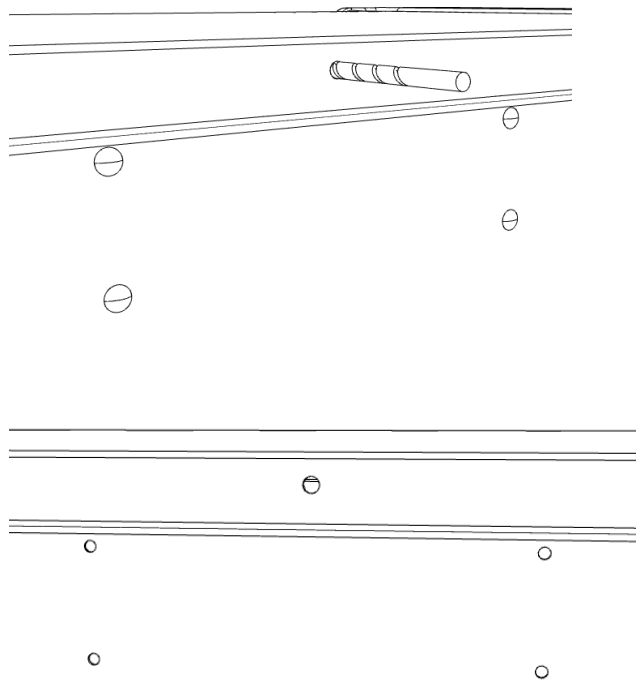
# Closed Case Cart

## Accessory Installation Instructions

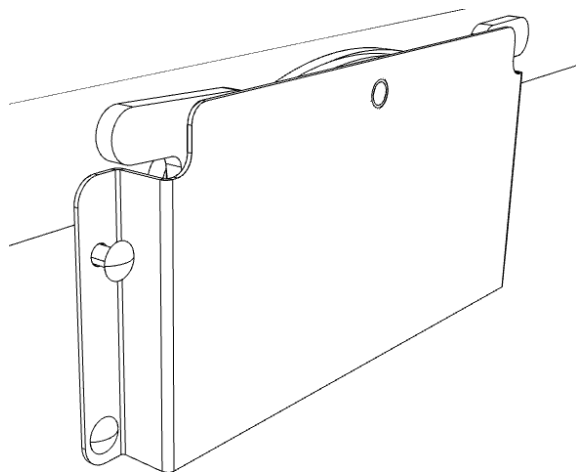
Integro Surgical Products

### Adding Clean Dirty Indicator

Screw out all 5 rivets with drill (dill bit provided).



Using provided rivet gun, line up assembled indicator and rivet to cart.



Insert bolt through upper hole and tighten to desired tension from inside the cart.

