

Follow these instructions to convert the metal shelf in your Evolve cabinet or Roam cart to accept cath managers or to repair a damaged cath manager.

Tools needed:

- Phillips screwdriver

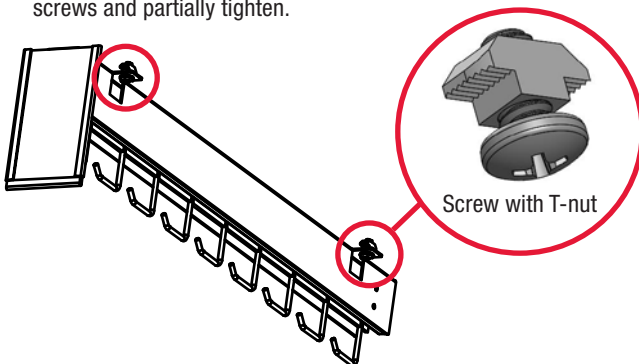
*Attachment hardware included*

Step 1

- Pull shelf out of the cabinet or cart (no tools required).

Step 2

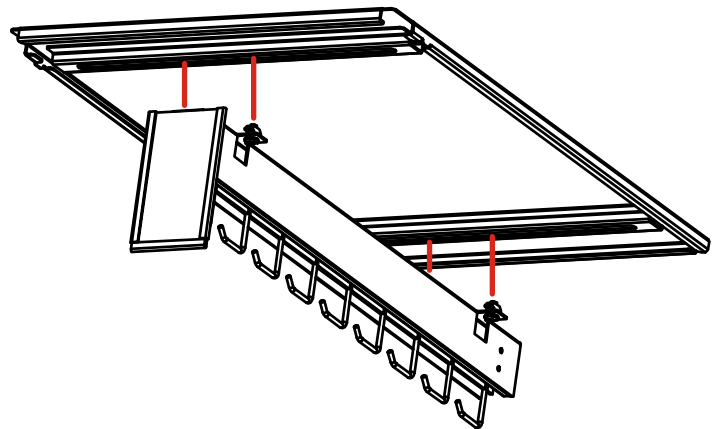
- Place shelf upside down and insert 4 screws into the holes on the attachment tabs on the cath manager assembly. Add T-nuts to the screws and partially tighten.



4 screws with T-nuts, 2 in front and 2 in back

Step 3

- Attach the cath manager assembly to the slots on the bottom side of the shelf. Then insert screws with T-nuts into the shelf slots and tighten the T-nuts.



Step 4

- Place the shelf with cath manager assembly back into the cabinet or cart.

