

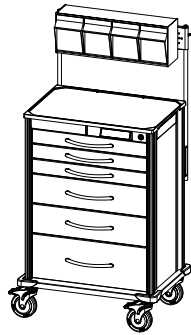
Attaching Tilt Bins to a Pace Cart

Follow these instructions to attach tilt bins to a Pace cart.

Tools needed

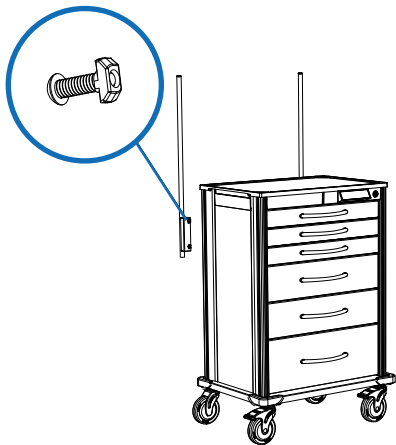
- Hex key (included)
- Tape measure (optional)

Attachment hardware included



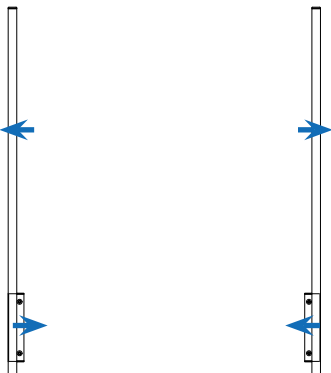
Step 1

Arrange the 4 T-nuts so that they sit on the last thread of the 2 screws on each of the pole brackets.



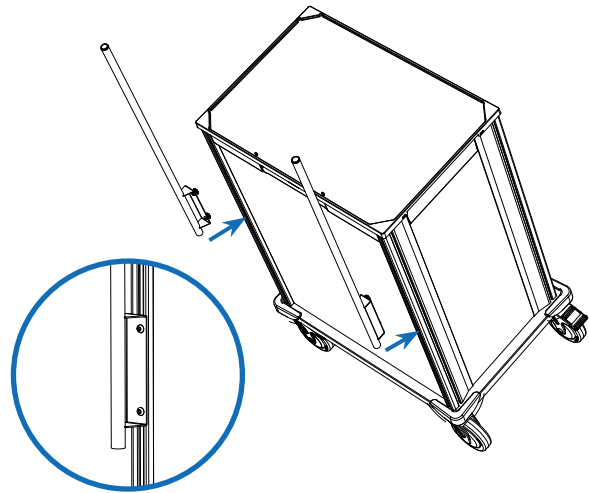
Step 2

Position the pole brackets so that each bracket is facing toward the cart and the poles are facing out.



Step 3

Align the T-nuts vertically, and then push the brackets with poles into the 2 back corner channels.

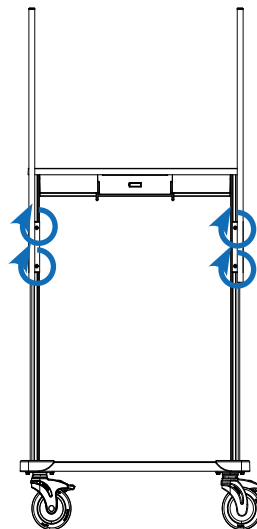


Step 4

Recommended: Use a tape measure to ensure that the poles are at the same height.

Step 5

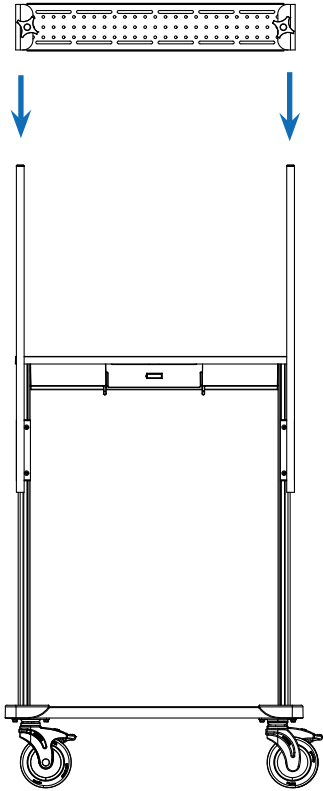
Using the hex key, firmly tighten the 4 screws on the pole brackets by turning clockwise. If a T-nut isn't tightening, make sure that it has been placed on the last thread of the screw.



Attaching Tilt Bins to a Pace Cart

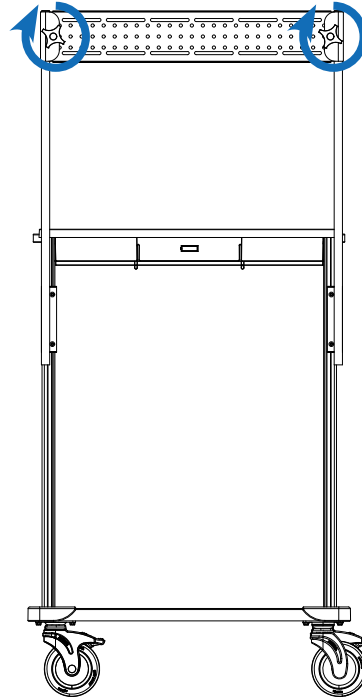
Step 6

Align the mounting rail with corner poles and slide into the poles.



Step 7

Set at desired height and rotate knobs clockwise until tightened.



Step 8

Attach tilt bins to the mounting rail by inserting screws through the back of the tilt bins and the rail, and then tighten nuts by turning clockwise until firm.

