

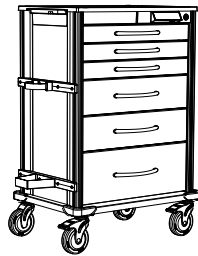
Attaching an Oxygen Tank Holder to a Pace Cart

Follow these instructions to attach an oxygen tank holder to a Pace cart.

Tools needed:

- Hex key (included)
- Level (optional)

Attachment hardware included



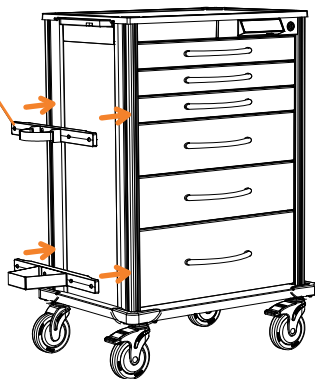
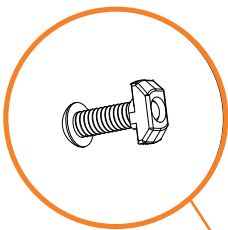
Step 1

Arrange the 4 T-nuts so that they sit on the last thread of the 4 screws on each of the oxygen tank holder mounting rails.



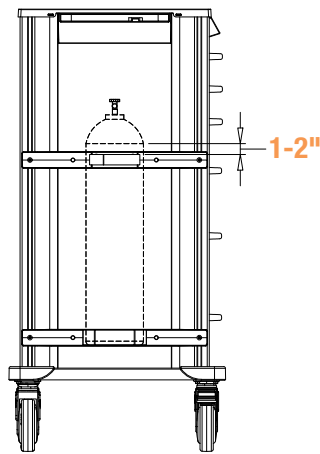
Step 2

Align the T-nuts vertically, and then push the rails into 2 side corner channels on either the right or left side of the cart.



Step 3

Adjust the rails to the height of the oxygen tank. The Velcro strap should be located 1"-2" below the top of the cylinder.



Step 4

Recommended: Use a level to ensure the mounting rails are even.

Step 5

Using the hex key, firmly tighten the 4 screws on the mounting rails by turning clockwise. If a T-nut isn't tightening, make sure that the T-nut has been placed on the last thread of the screw.

