

# Attaching an IV Pole to a Pace Cart

Follow these instructions to attach an IV pole to a Pace cart.

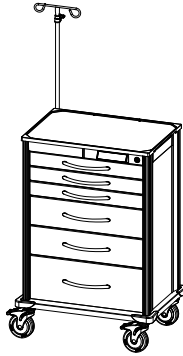
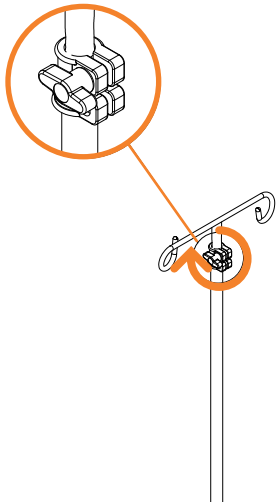
## Tools needed:

- Hex key (included)

Attachment hardware included

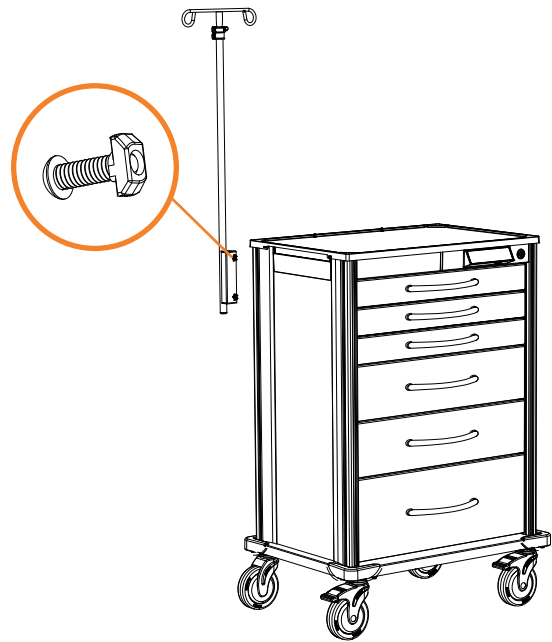
## Step 1

Insert the top section of the IV pole into the bottom section. Set at the desired height and rotate the knob clockwise until tightened.



## Step 2

Arrange the 2 T-nuts so that they sit on the last thread of the 2 screws on the IV pole bracket.

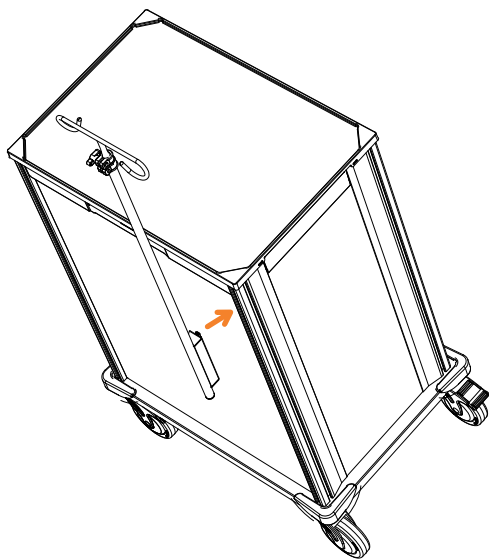


# Attaching an IV Pole to a Pace Cart

Follow these instructions to attach an IV pole to a Pace cart.

## Step 3

Align the T-nuts vertically, and then push the bracket with IV pole into the back right or left corner channel.



## Step 4

Using the hex key, firmly tighten the 2 screws on the IV pole bracket by turning clockwise. If a T-nut isn't tightening, make sure that the T-nut has been placed on the last thread of the screw.

