

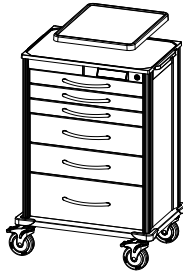
Attaching an Adjustable Work Surface to a Pace Cart

Follow these instructions to attach an adjustable work surface to a Pace cart.

Tools needed:

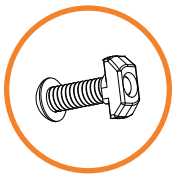
- Hex key (included)
- Level (optional)

Attachment hardware included



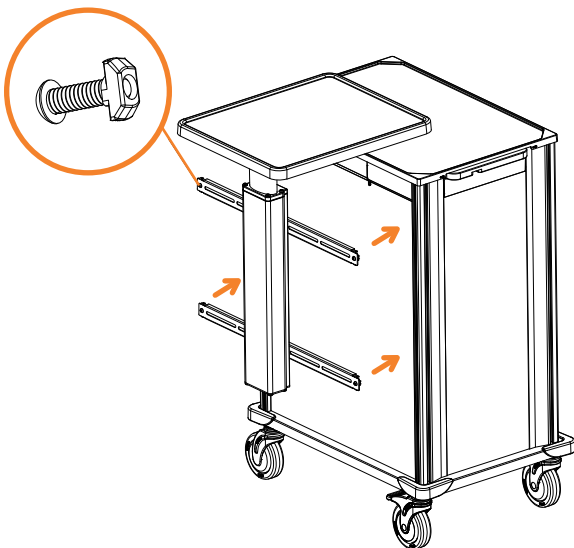
Step 1

Arrange the 4 T-nuts so that they sit on the last thread of the 4 screws on the adjustable work surface mounting rails.



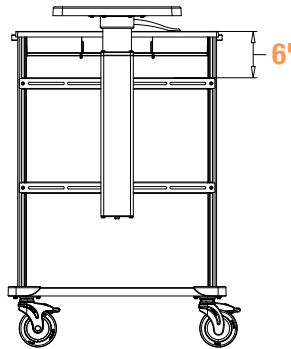
Step 2

Align the T-nuts vertically, and then push the mounting rail with work surface into the 2 back corner channels.



Step 3

Position the adjustable work surface so that there is a minimum 6" clearance from the top of the cart to the top of the mounting rail for the battery door to be accessed.

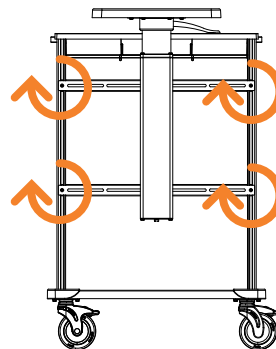


Step 4

Recommended: Use a level to ensure the mounting rail is even.

Step 5

Using the hex key, firmly tighten the 4 screws on the mounting rails by turning clockwise. If a T-nut isn't tightening, make sure that the T-nut has been placed on the last thread of the screw.



Attaching an Adjustable Work Surface to a Pace Cart

Follow these instructions to attach an adjustable work surface to a Pace cart.

Step 6

To adjust the work surface, hold lever up and move the surface to the desired height.

