

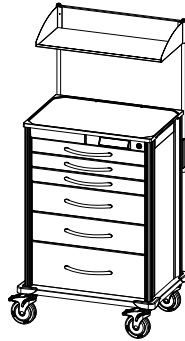
# Attaching a Utility Shelf to a Pace Cart

Follow these instructions to attach a utility shelf to a Pace cart.

## Tools needed:

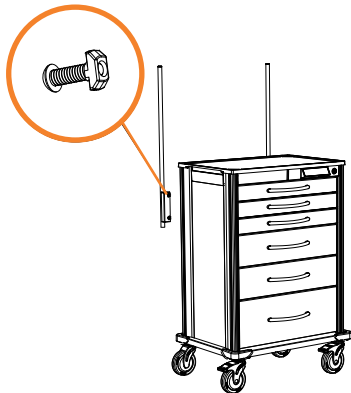
- Hex key (included)
- Tape measure (optional)

Attachment hardware included



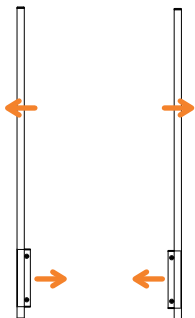
## Step 1

Arrange the 4 T-nuts so that they sit on the last thread of the 2 screws on each of the pole brackets.



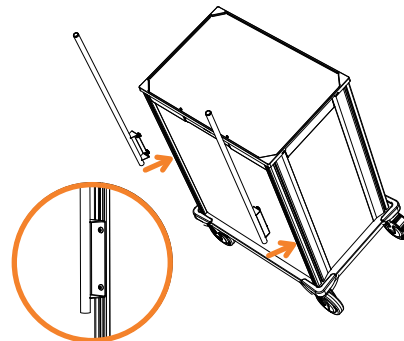
## Step 2

Position the pole brackets so that each bracket is facing toward the cart and the poles are facing out.



## Step 3

Align the T-nuts vertically, and then push the brackets with poles into the 2 back corner channels.

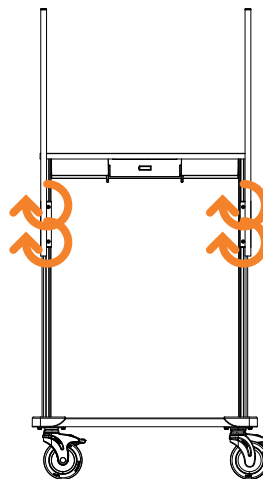


## Step 4

*Recommended:* Use a tape measure to ensure that the poles are at the same height.

## Step 5

Using the hex key, firmly tighten the 4 screws on the pole brackets by turning clockwise. If a T-nut isn't tightening, make sure that it has been placed on the last thread of the screw.

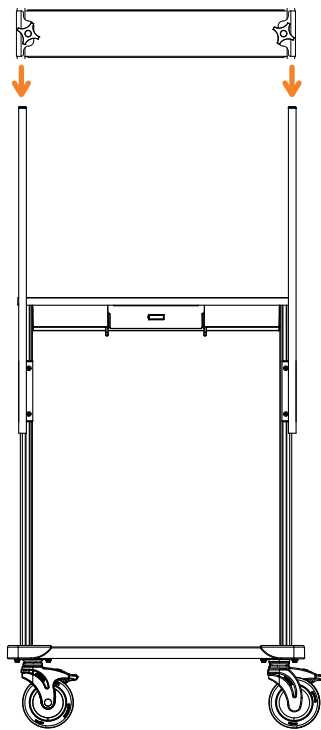


# Attaching a Utility Shelf to a Pace Cart

Follow these instructions to attach a utility shelf to a Pace cart.

## Step 6

Align utility shelf with corner poles and slide into the poles.



## Step 7

Set at desired height and rotate knobs clockwise until tightened.

