

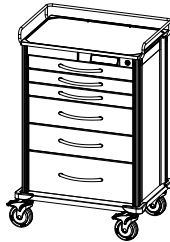
Attaching a Surface Rail to a Pace Cart

Follow these instructions to attach a surface rail to a Pace cart.

Tools needed:

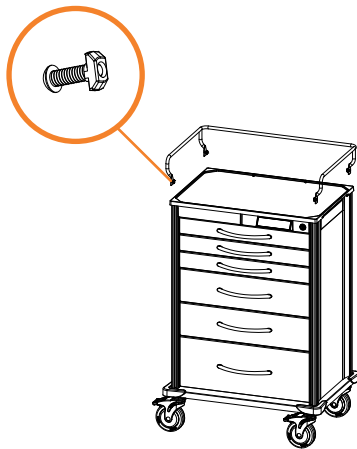
- Hex key (included)

Attachment hardware included



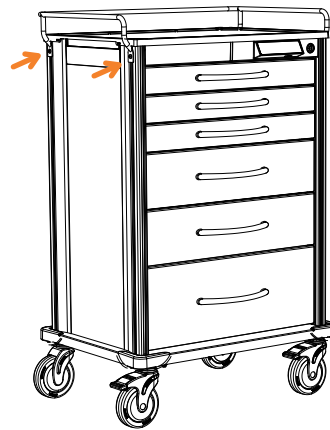
Step 1

Arrange the 4 T-nuts so that they sit on the last thread of the 4 screws on the surface rail.



Step 2

Align the T-nuts vertically on one side, and then push that side of the rail into the top of 2 corner channels. Repeat step with the other side of the rail.



Step 3

Using the hex key, firmly tighten the 4 screws on the rail by turning clockwise. If a T-nut isn't tightening, make sure that the T-nut has been placed on the last thread of the screw.

