

Attaching a Sneezeguard Shield to a Pace Cart

Follow these instructions to attach a sneezeguard shield to a Pace cart.

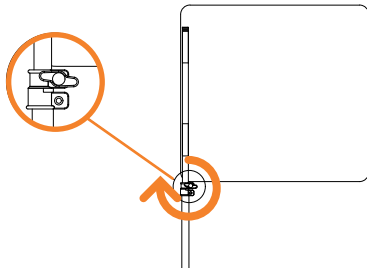
Tools needed:

- Hex key (included)

Attachment hardware included

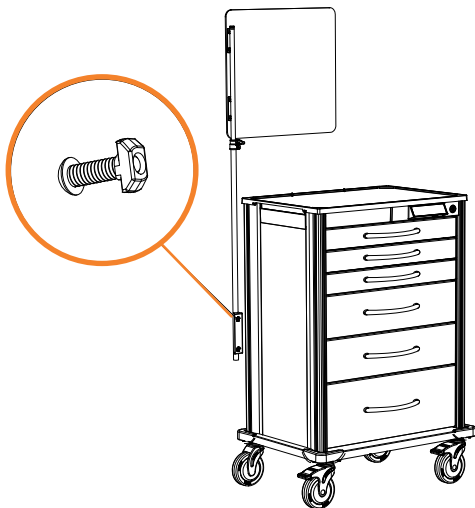
Step 1

Insert the top section of the sneezeguard shield into the bottom pole. Set the shield at the desired height and rotate knob clockwise until tightened.



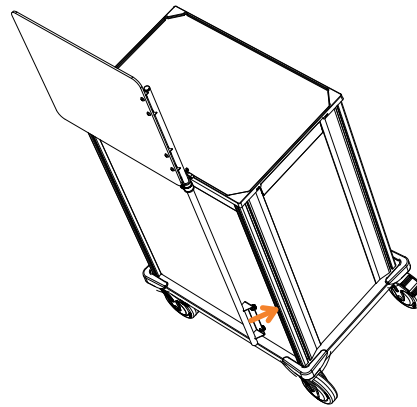
Step 2

Arrange the 2 T-nuts so that they sit on the last thread of the 2 screws on the pole bracket.



Step 3

Align the T-nuts vertically, and then push the bracket with pole into the right or left back corner channel.



Step 4

Using the hex key, firmly tighten the 2 screws on the pole bracket by turning clockwise. If a T-nut isn't tightening, make sure that it has been placed on the last thread of the screw.

