

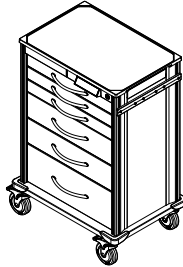
Attaching a Side-Mounted Accessory Rail on a Pace Cart

Follow these instructions to attach a side-mounted accessory rail to a Pace cart.

Tools needed:

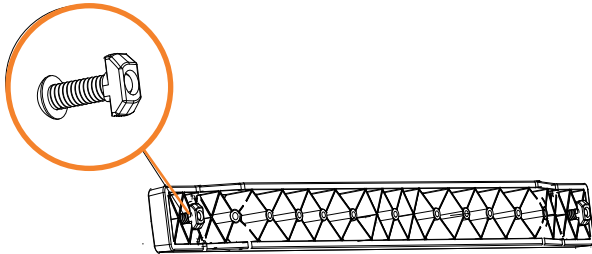
- Hex key (included)
- Level (optional)

Attachment hardware included



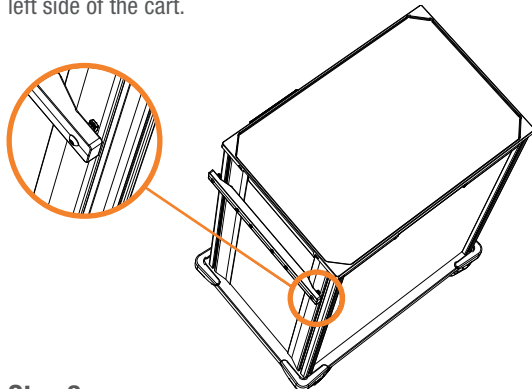
Step 1

Arrange the 2 T-nuts so that they sit on the last thread of the 2 screws on the accessory rail.



Step 2

Align the T-nuts vertically, and then push the accessory rail into 2 side corner channels at the desired height on either the right or left side of the cart.

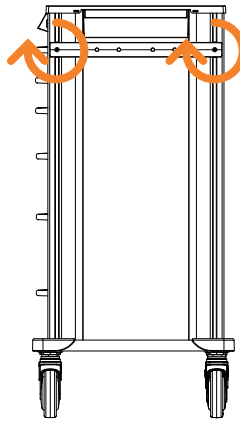


Step 3

Recommended: Use a level to ensure the accessory rail is even.

Step 4

Using the hex key, firmly tighten screws on the accessory rail by turning clockwise. If a T-nut isn't tightening, make sure that it has been placed on the last thread of the screw.



Step 5

Align the holes of the side-mounted accessory with the notches on the rail, and then press down until the accessory is firmly in place.

