

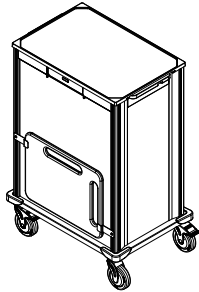
Attaching a Resuscitation Board on a Pace Cart

Follow these instructions to attach a resuscitation board to a Pace cart.

Tools needed

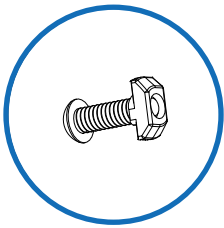
- Hex key (included)

Attachment hardware included



Step 1

Arrange the 2 T-nuts so that they sit on the last thread of the 1 screw on each of the resuscitation board brackets.

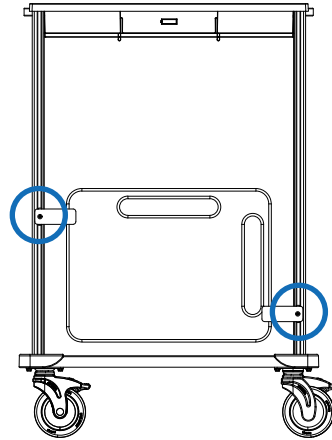


Step 2

Align the 2 T-nuts vertically, and then push the resuscitation board brackets into the 2 back corner channels at the desired height.

Step 3

Slide the brackets so that one is located at the upper left corner of the resuscitation board and the other at the lower right corner of the resuscitation board.



Step 4

Using the hex key, firmly tighten the screws on the brackets by turning clockwise. If a T-nut isn't tightening, make sure that the T-nut has been placed on the last thread of the screw.

