

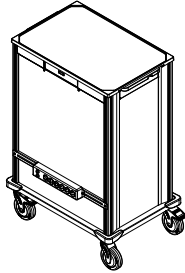
# Attaching a Power Strip to a Pace Cart

Follow these instructions to attach a power strip to a Pace cart.

## Tools needed:

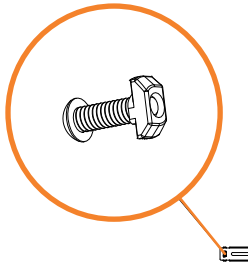
- Hex key (included)
- Level (optional)

Attachment hardware included



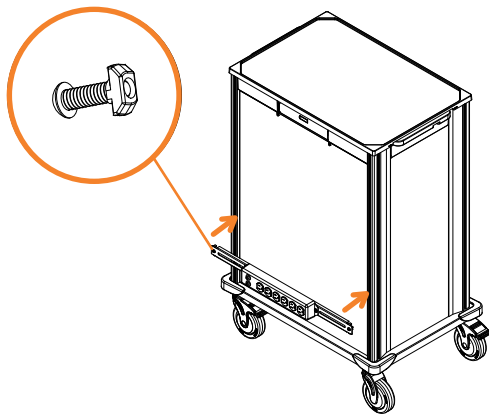
## Step 1

Arrange the 2 T-nuts so that they sit on the last thread of the 2 screws on the power strip mounting rail.



## Step 2

Align the T-nuts vertically, and then push the mounting rail with power strip into the 2 back corner channels at the desired height.



## Step 3

*Recommended:* Use a level to ensure the power strip is even.

## Step 4

Using the hex key, firmly tighten the 2 screws on the mounting rail by turning clockwise. If a T-nut isn't tightening, make sure that the T-nut has been placed on the last thread of the screw.

