

# Attaching a Flip-Up Work Surface to a Pace Cart

Follow these instructions to attach a flip-up work surface to a Pace cart.

## Tools needed:

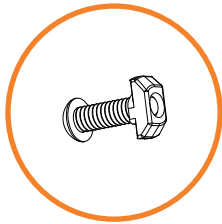
- Hex key (included)
- Level (optional)

Attachment hardware included



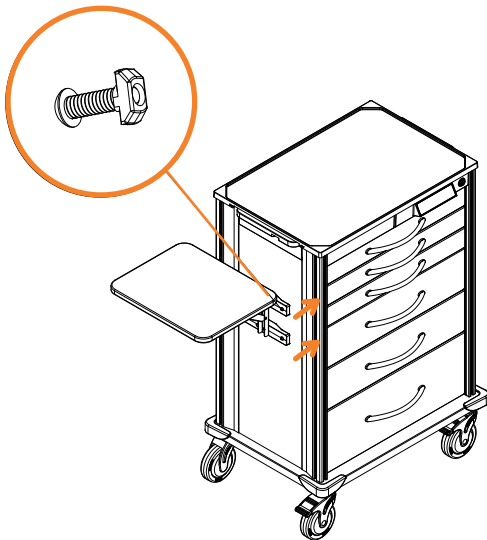
## Step 1

Arrange the 4 T-nuts so that they sit on the last thread of the 4 screws on the work surface mounting rails.



## Step 2

Align the T-nuts vertically, and then push the mounting rails with work surface into the side corner channels on the right or left side of the cart at the desired height.



## Step 3

*Recommended:* Use a level to ensure the flip-up worksurface is even.

## Step 4

Using the hex key, firmly tighten the 4 screws on the work surface mounting rails by turning clockwise. If a T-nut isn't tightening, make sure that the T-nut has been placed on the last thread of the screw.

