

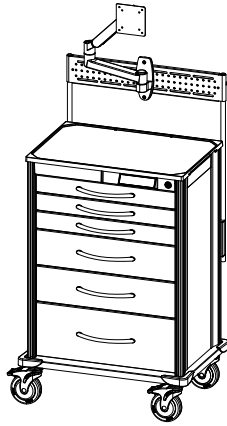
Attaching a Flat Panel Monitor Arm to a Pace Cart

Follow these instructions to attach a flat panel monitor arm to a Pace cart.

Tools needed

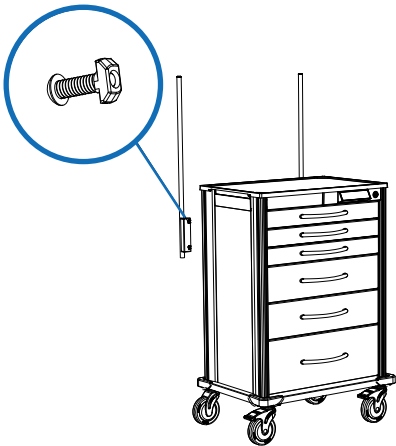
- Hex key (included)
- Tape measure (optional)

Attachment hardware included



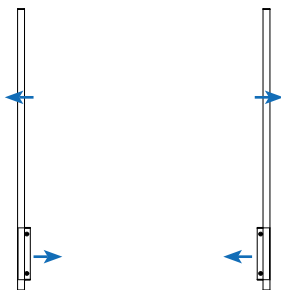
Step 1

Arrange the 4 T-nuts so that they sit on the last thread of the 2 screws on each of the pole brackets.



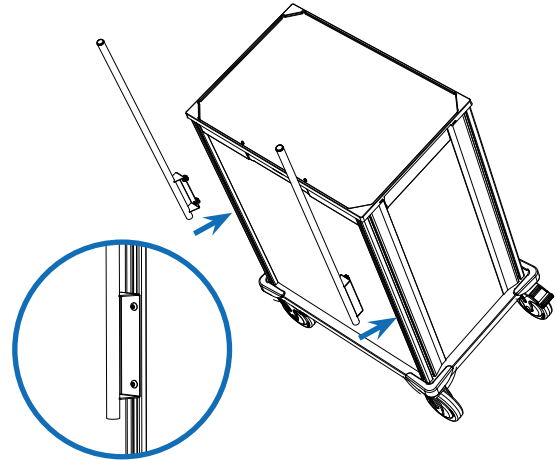
Step 2

Position the pole brackets so that each bracket is facing toward the cart and the poles are facing out.



Step 3

Align the T-nuts vertically, and then push the brackets with poles into the 2 back corner channels.

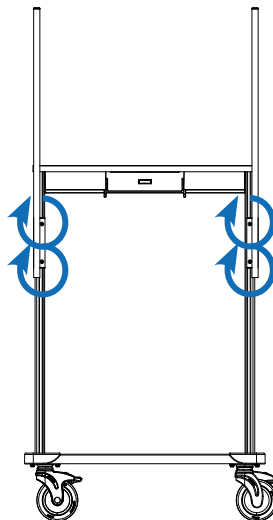


Step 4

Recommended: Use a tape measure to ensure that the poles are at the same height.

Step 5

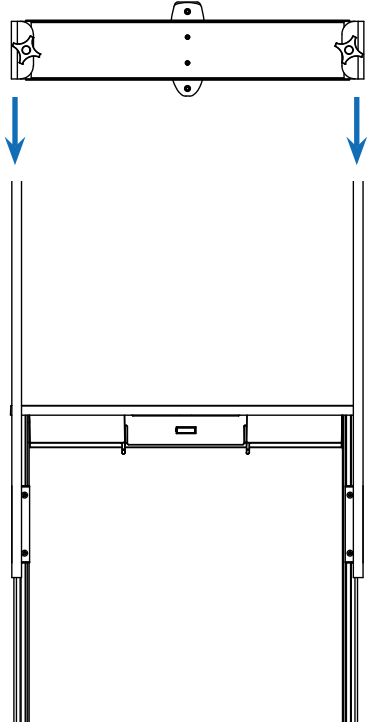
Using the hex key, firmly tighten the 4 screws on the pole brackets by turning clockwise. If a T-nut isn't tightening, make sure that it has been placed on the last thread of the screw.



Attaching a Flat Panel Monitor Arm to a Pace Cart

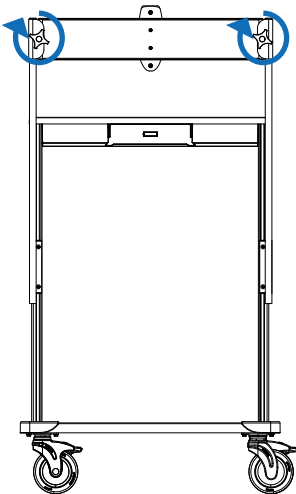
Step 6

Align mounting rail with corner poles and slide into the poles.



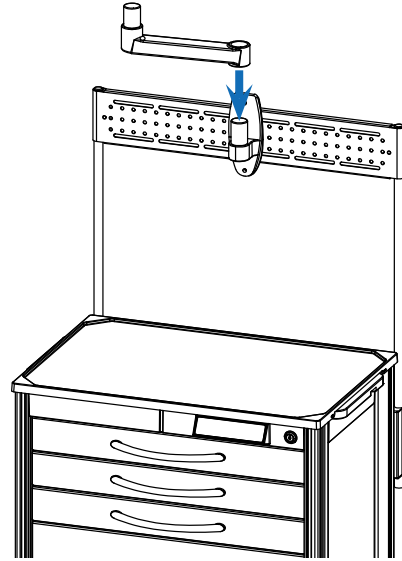
Step 7

Set at the desired height and rotate knobs clockwise until tightened.



Step 8

Insert the bottom section of the monitor arm into the bracket and slide into place. Use the hex key to turn the set screw clockwise until tightened.



Step 9

Insert the top of the monitor arm into the bottom of the monitor arm and slide into place. Use the hex key to turn the set screw on the monitor arm until tightened.

