

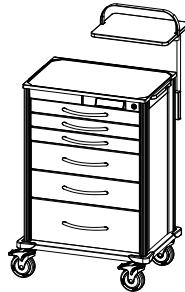
# Attaching a Defibrillator Shelf to a Pace Cart

Follow these instructions to attach a defibrillator shelf to a Pace cart.

## Tools needed:

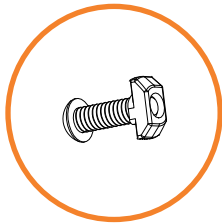
- Hex key (included)

Attachment hardware included



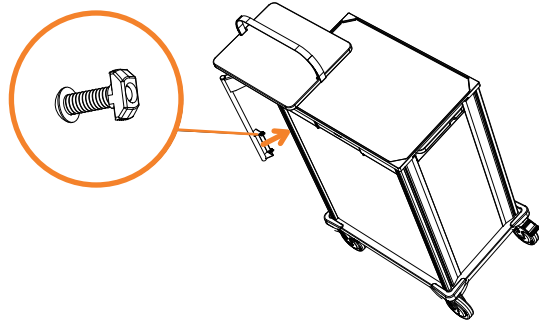
## Step 1

Arrange the 2 T-nuts so that they sit on the last thread of the 2 screws on the defibrillator shelf bracket.



## Step 2

Align the T-nuts vertically, and then push the defibrillator shelf into the back right or left corner channel.



## Step 3

Using the hex key, firmly tighten the 2 screws on the bracket by turning clockwise. If a T-nut isn't tightening, make sure that the T-nut has been placed on the last thread of the screw.

