

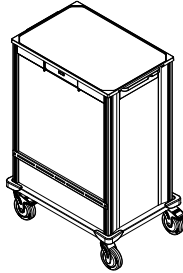
Attaching a Back-Mounted Accessory Rail to a Pace Cart

Follow these instructions to attach a back-mounted accessory rail to a Pace cart.

Tools needed:

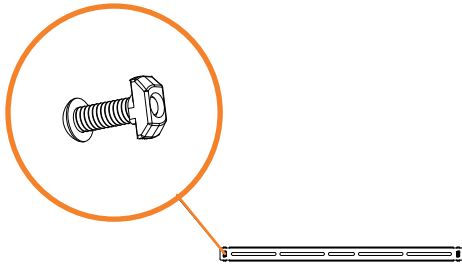
- Hex key (included)
- Level (optional)

Attachment hardware included



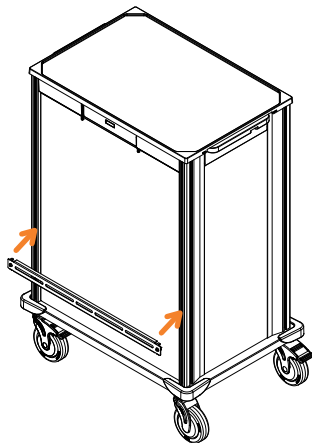
Step 1

Arrange the 2 T-nuts so that they sit on the last thread of the 2 screws on the accessory rail.



Step 2

Align the T-nuts vertically, and then push the accessory rail into the 2 back corner channels.



Step 3

Recommended: Use a level to ensure the accessory rail is even.

Step 4

Using the hex key, firmly tighten the 2 screws on the accessory rail by turning clockwise. If a T-nut isn't tightening, make sure that the T-nut has been placed on the last thread of the screw.

